

Specifications

Main unit

Power supply		AC100 V-120 V/ AC200 V-240 V, 50/60 Hz AC100 V-120 V, 50/60 Hz (Brightness is restricted to approximately 1/3)	
Power consumption ¹	Maximum power consumption		2550 W
	Operation mode	[NORMAL]	2060 W
		[ECO]	1650 W
		[QUIET]	1370 W
Standby mode power consumption		14 W	
Shutter		330 W	
BTU value		Max 8,713 BTU	
DLP™ chip	size		[0.96 in] diagonal (16:10 aspect ratio)
	Display system		DLP™ chip x 3, DLP™ projection system
	Number of pixels		2,304,000 pixels (1920 x 1200 dots) x 3
Refresh rate		120Hz Refresh rate varies depending on scanning frequency. (240Hz When the optional High Frame Rate Upgrade Kit ET-SUK10 is activated)	
Light source		Laser diodes	
Light output ^{1,3}	Operation mode	[NORMAL]	30,500 lm/32,000 lm(Center) ²
		[ECO]	24,000 lm
		[QUIET]	20,000 lm
Time until light output declines to 50% ⁴	Operation mode	[NORMAL]	20,000 hours
		[ECO]	24,000 hours
		[QUIET]	26,000 hours
Resolution		4K (3840 x 2400 dots) (Quad Pixel Drive: ON)	
Contrast ratio ¹		20,000:1 (Full On/Full Off, Dynamic Contrast [3])	
Screen size (diagonal)		1.78-25.40 m [70-1000 in] 1.78-15.24 m [70-600 in] (with ET-D75LE8, ET-D3LET80) 5.08-15.24 m [200-600 in] (with ET-D3LEW201, ET-D3LEW200, ET-D3LEU101, ET-D3LEU100) 3.05-15.24 m [120-600 in] (with ET-D75LE95)	
Center to corner zone ratio ¹		90%	
Lens		Optional (no lens included with this model)	
Lens shift (From the origin point of the lens mounter)	Vertical	±55% ±44% (with ET-D3LEW60, ET-D75LE6) +68%, +78% (with ET-D75LE95) ±55% (with ET-D3LEU101, ET-D3LEU100) ±48% (with ET-D3LEW201, ET-D3LEW200) ±44% (with ET-D3LEW300)	
	Horizontal	±20% ±15% (with ET-D3LEW60, ET-D75LE6) ±12% (with ET-D75LE95) 0, +25% (with ET-D3LEU101, ET-D3LEU100) ±15% (with ET-D3LEW201, ET-D3LEW200) ±15% (with ET-D3LEW300)	
Installation		Ceiling/floor, front/rear, free 360-degree installation	
Compatible Signal	HDMI™ signal input	Moving image signal resolution: 480/60p, 576/50p to 4096 x 2160/60p Still image signal resolution: 640 x 480 to 3840 x 2400 (non-interlace) Dot clock frequency: 25 MHz to 594 MHz	
	DIGITAL LINK signal input	Moving image signal resolution: 480/60p, 576/50p to 4096 x 2160/60p Still image signal resolution: 640 x 480 to 3840 x 2400 (non-interlace) Dot clock frequency: 25 MHz to 297 MHz	
	DisplayPort ⁵ signal input	Moving image signal resolution: 720/50p to 4096 x 2160/60p Still image signal resolution: 640 x 480 to 3840 x 2400 (non-interlace) Dot clock frequency: 25 MHz to 594 MHz	
	DVI-D ⁶ signal input	Moving image signal resolution: 480/60p, 576/50p to 2048 x 1080/60p Still image signal resolution: 640 x 480 to 1920 x 1200 (non-interlace) Dot clock frequency: 25 MHz to 162 MHz	
	SDI ⁷ signal input	HD-SDI signal 3G-SDI signal 6G-SDI signal 12G-SDI signal	
	SDI Optical ⁸ signal input	Single link HD-SDI signal SMPTE ST 292 compliant Single link 3G-SDI signal SMPTE ST 424, 425-2 compliant Single link 6G-SDI signal SMPTE ST 2081-1, 2081-10 compliant Single link 12G-SDI signal SMPTE ST 2082-1, 2082-10 compliant	

Terminals	<HDMI™ IN>	HDMI™ x 1 HDCP 2.2 compatible, Deep Color compatible
	<DIGITAL LINK>	RJ-45 x 1 for network and DIGITAL LINK connections (HDBase™ compliant), PLink™ (class 2) compatible, 100Base-TX, Art-Net compatible, HDCP 2.2 compatible, Deep Color compatible
	<MULTI PROJECTOR SYNC IN>	BNC x 1 TTL high impedance
	<MULTI PROJECTOR SYNC OUT>	BNC x 1 TTL output: Maximum 10 mA
	<SERIAL IN>	D-sub 9-pin (female) x 1 for external control (RS-232C compliant)
	<SERIAL OUT>	D-sub 9-pin (male) x 1 for external control (RS-232C compliant)
	<REMOTE 1 IN>	M3 stereo mini jack x 1 for wired remote control/ for projector connection control
	<REMOTE 1 OUT>	M3 stereo mini jack x 1 for wired remote control/ for projector connection control
	<REMOTE 2 IN>	D-sub 9-pin (female) x 1 for contact control
	<LAN>	RJ-45 x 1 for network connection, PLink™ (class 2) compatible, 10Base-T/100Base-TX, Art-Net compatible
	<USB>	USB connector (type A) x 1 for optional AJ-WM50 Series Wireless Module/USB memory stick
	<DC OUT 1 / DC OUT 2>	USB connector (type A) x 2 for power supply only (DC 5 V, 2 A total for two terminals)
	<SLOT 1 / SLOT 2>	SLOT x 2 SLOT NX specification, for installing the Interface Board
	Power cord length	
Cabinet materials		Molded plastic
Dimension	Width	598 mm [23 17/32 in] (excluding protrusions)
	Height	353 mm [13 29/32 in] (excluding protrusions)
	Depth	780 mm [30 23/32 in] (excluding protrusions)
Weight ⁹		Approx. 69.8 kg (154 lbs.)
Operating noise ¹	[NORMAL]	49 dB
	[ECO]	49 dB
	[QUIET]	46 dB
Laser Classification	Laser Class	USA and Canada: Class 3R (IEC 60825-1:2007) Other countries or regions: Class 1 (IEC/EN 60825-1:2014)
	Risk Group	Risk Group 3 (IEC 62471-5:2015)
Operating environment	Operating temperature	0-45 °C (32-113 °F) ¹⁰
	Operating humidity	10-80 % (no condensation)

Remote control unit

Power supply		3 V DC (AA/R6/LR6 battery x 2)
Operation range		Approx. 30 m [98 ft 5 in] (when operated directly in front of signal receiver)
Dimensions	Width	47.5 mm [1 7/8 in]
	Height	181.5 mm [7 5/32 in]
	Depth	27.5 mm [1 3/32 in]
Weight		Approx. 150 g (5.3 oz) (including batteries)

Supplied accessories

Power cord¹¹
 Lens hole cover (x1)
 Wireless/wired remote control unit (x1)
 Batteries for remote control (AA/R6 or AA/LR6 battery x 2)
 Lens fixing screw (x1)

Other Applications

Logo Transfer Software (for Windows)
 Multi Monitoring & Control Software (for Windows)
 Geometry Manager Pro (for Windows)
 Smart Projector Control (for iOS/Android™)

Optional accessories

Lens	Fixed-Focus Lens	ET-D3LEU101/ET-D3LEU100 (0.370:1)
		ET-D3LEW50 (0.694:1)
		ET-D75LE95 (0.364:1)
	Fisheye Lens	ET-D3LEF70
	Zoom lens	ET-D3LEW201/ET-D3LEW200 (0.645-0.850:1)
		ET-D3LEW300 (0.770-0.933:1)
		ET-D3LEW60/ET-D75LE6 (0.924-1.10:1)
		ET-D3LEW10 (1.26-1.72:1)
		ET-D75LE10 (1.30-1.67:1)
		ET-D3LES20/ET-D75LE20 (1.67-2.41:1)
		ET-D3LET30/ET-D75LE30 (2.40-4.66:1)
ET-D3LET40 (4.61-7.41:1)		
ET-D75LE40 (4.62-7.38:1)		
ET-D3LET80/ET-D75LE8 (7.34-13.8:1)		
Stepping Motor Kit	ET-D75MKS10	
Lens Fixed Attachment	ET-PLF10/ET-PLF20	
Interface Board	HDMI™ Input (Input x 2) ¹²	ET-MDNHM10 (HDCP2.2)
	DVI Input (Input x 2)	ET-MDNDV10
	Display Port (Input x 2)	ET-MDNDP10
	12G-SDI Input (Input x 2, Input / Output x 2)	ET-MDN12G10
	12G-SDI Optical (Input x 1, Input / Output x 1)	ET-MDNFB10
DIGITAL LINK Switcher	ET-YFB200G	
Wireless module	AJ-WM50 Series Note: The operating environment temperature should be between 0 °C (32°F) and 40 °C (104°F) when the optional Wireless Module (Model No.: AJ-WM50 Series) is attached.	
High Frame Rate Upgrade Kit	ET-SUK10	
Digital Interface Box	ET-YFB100G	
NFC Upgrade Kit	ET-NUK10 Note: Product availability may vary by country or region.	
Media Processors	Box-type ET-FMP50/ET-FMP20	

Weights and dimensions shown are approximate. Specifications subject to change without notice.

1 Measurement, measuring conditions, and method of notation all comply with ISO/IEC 21118: 2020 international standards.

2 Average light-output value of all shipped products measured at center of screen in [NORMAL] Mode.

3 When a projection lens other than ET-D75LE95 is attached and the power supply voltage is AC 200 V.

4 Around this time, light output will have decreased by approximately 50%. Dynamic Contrast [3], under conditions with 35°C (95°F), 700m (2297ft) above sea level, and 0.15mg/m³ of particulate matter. Estimated time until light output declines to 50% varies depending on environment.

5 This is supported when the optional Interface Board for DisplayPort 2 input (Model No.: ET-MDNDP10) is installed in the slot.

6 This is supported when the optional Interface Board for DVI-D 2 input (Model No.: ET-MDNDV10) is installed in the slot.

7 This is supported when the Interface Board for 12G-SDI input (Model No.: ET-MDN12G10) is installed in the slot.

8 This is supported when the optional Interface Board for 12G-SDI optical input (Model No.: ET-MDNFB10) is installed in the slot.

9 Average value. May differ depending on the actual unit.

10 The operating environment temperature should be between 0 °C (32°F) and 40 °C (104°F) when the optional Wireless Module (Model No.: AJ-WM50 Series) is attached. The operating environment temperature should be between 0°C (32°F) and 40°C (104°F) if the projector is used at an altitude between 1400 m (4593ft) and 4200 m (13780ft) above sea level.

When using the projector at an altitude lower than 2700m (8858ft) above sea level, and the operating environment temperature becomes 35°C (95°F) or higher, the light output may be reduced to protect the projector. When using the projector at an altitude between 2700m (8858ft) and 4200m (13780ft), and the operating environment temperature becomes 25°C (77°F) or higher, the light output may be reduced to protect the projector.

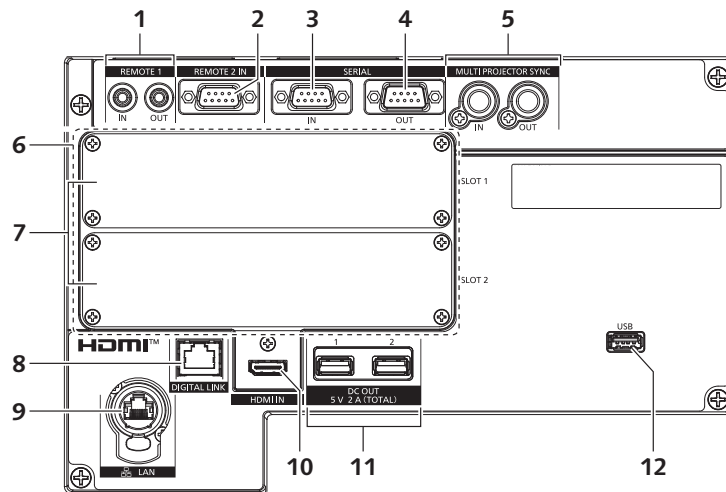
11 The type and number of the supplied power cords vary depending on the country or region where you purchased the product.

12 When performing the simultaneous input of the 4K image (resolution of 3840 x 2160 or 4096 x 2160) using the Interface Board for HDMI™ 2 input (Model No.: ET-MDNHM10), it is necessary for the firmware version of the Interface Board for HDMI™ 2 input to be 2.00 or later. If the version is earlier than 2.00, the simultaneous process is not performed even if corresponding signal is input. Consult your dealer regarding the version update to the latest firmware.

Note

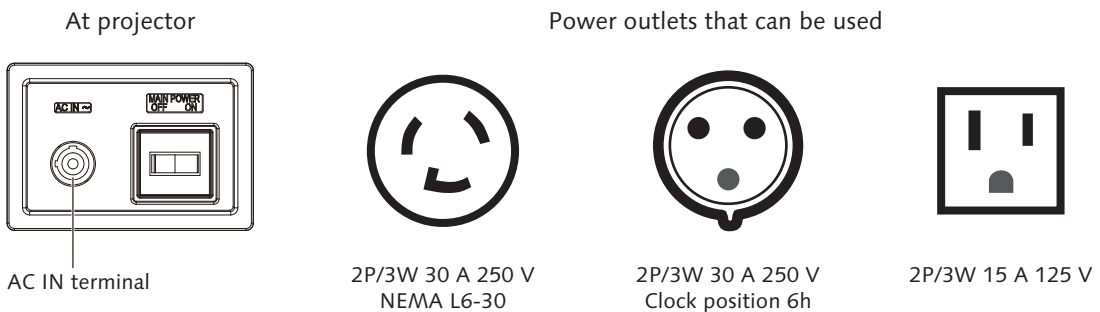
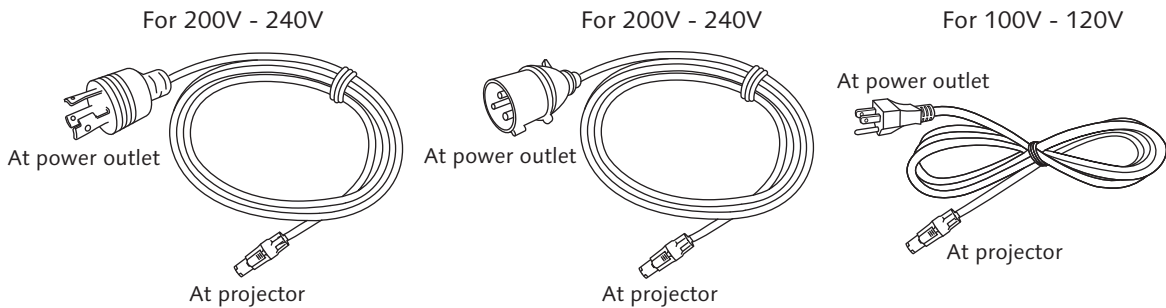
- The Fixed-focus Lens (Model No.: ET-D75LE50) (production discontinued) can also be used.

Terminals



1	REMOTE 1 IN / REMOTE 1 OUT	7	SLOT Cover
2	REMOTE 2 IN	8	DIGITAL LINK
3	SERIAL IN	9	LAN
4	SERIAL OUT	10	HDMI™
5	MULTI PROJECTOR SYNC IN / MULTI PROJECTOR SYNC OUT	11	DC OUT 1 / DC OUT 2
6	SLOT 1 / SLOT 2	12	USB

Power cord



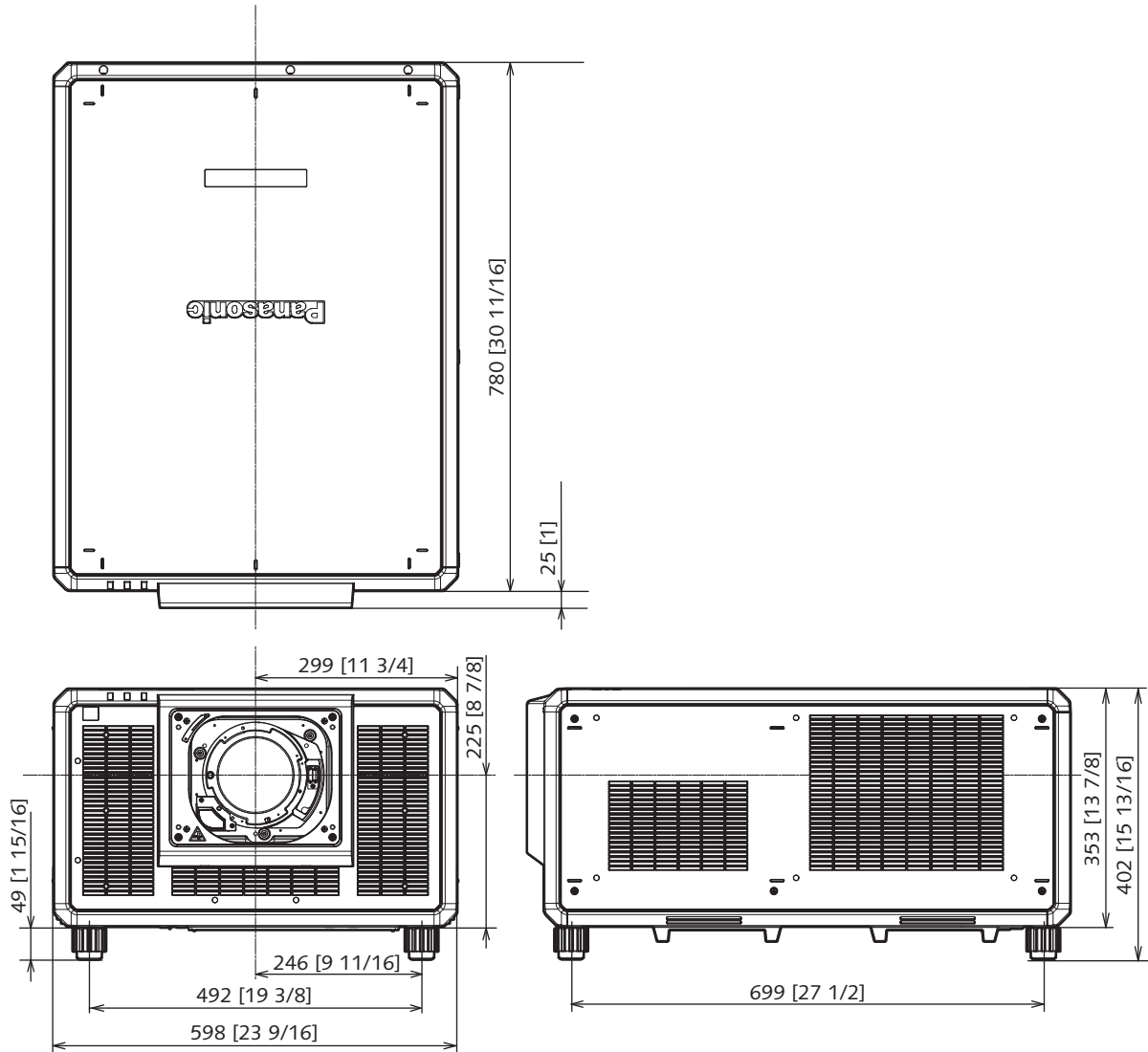
- This projector supports AC 100 V to AC 120 V, and AC 200 V to AC 240 V as the power supply. A grounded outlet supporting 30 A is required when using the projector with AC 200 V to AC 240 V. A grounded outlet supporting 15 A is required when using the projector with AC 100 V to AC 120 V.
- The shape of the usable outlet differs depending on the power supply. Following illustrations are examples.

Note

- The light output will decrease to approximately 1/3 when using the projector with AC 100 V to AC 120 V.
- The supplied power cords vary depending on the country or region where you purchased the product.

Dimensions

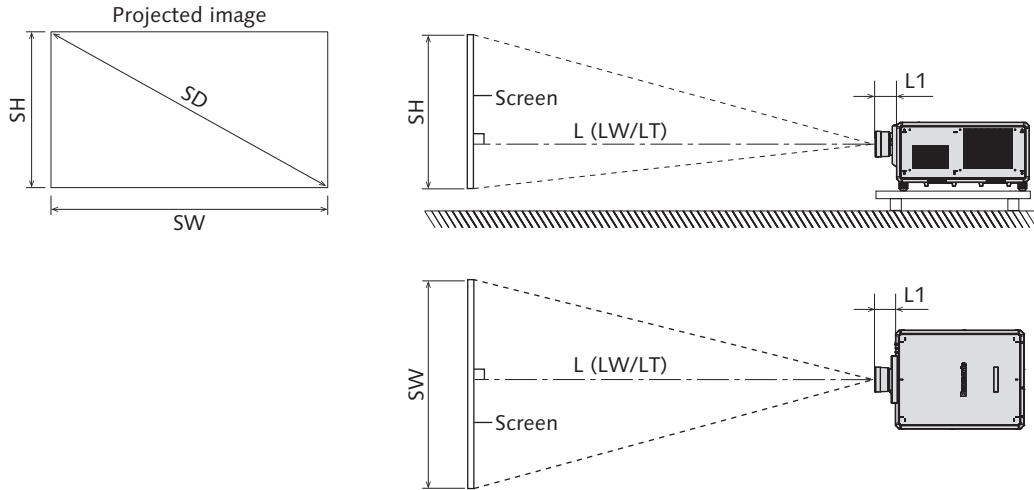
unit : mm [inch]
 NOTE: This illustration is not drawn to scale.



Projection relationship diagram

(All lenses excluding ET-D3LEU101, ET-D3LEU100, ET-D3LEW201, ET-D3LEW200, ET-D75LE95)

Install the projector referring to the projected image size, projection distance, etc. Image size and image position can be adjusted in accordance with the screen size and screen position. When the Zoom lens (Model No.: ET-D3LEW201, ET-D3LEW200) Fixed-focus Lens (Model No.: ET-D75LE95, ET-D3LEU101, ET-D3LEU100,) or the Fisheye Lens (Model No.: ET-D3LEF70) is used, the projection relation between the screen and the projector differs from that of other lenses.



Note

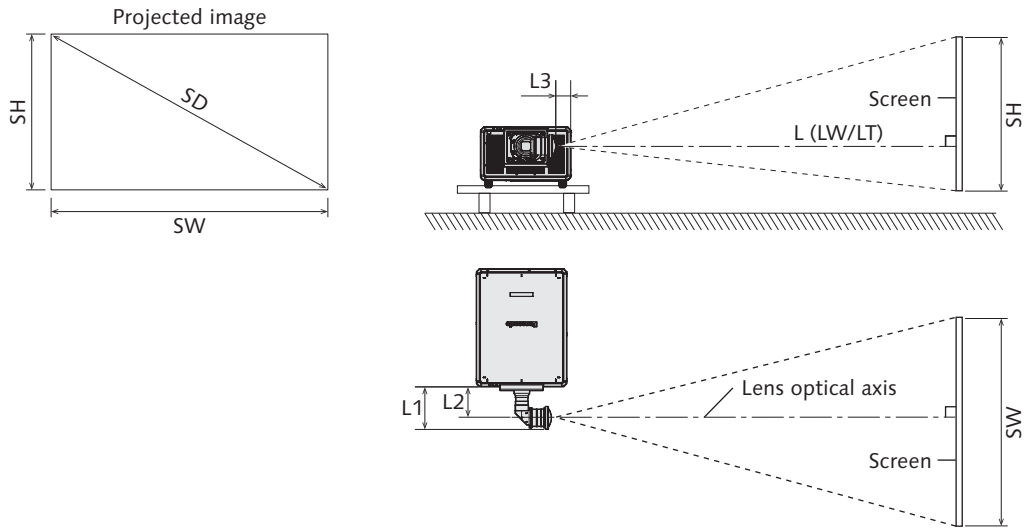
- This diagram assumes that the size and position of the projected image will be adjusted so that the image fits the entire screen.
- This illustration is not drawn to scale.
- The values are approximate.

SH	Projected image height
SW	Projected image width
SD	Projected image size
L	Projection distance
LW	Minimum projection distance when the Zoom Lens is used
LT	Maximum projection distance when the Zoom Lens is used
L1	Distance from front of projector to edge of lens

unit : m

Projection lens Model No.	Lens protrusion dimensions (L1)
ET-D3LEW300	0.273
ET-D3LEW10	0.210
ET-D75LE10	0.125
ET-D3LES20/ET-D75LE20	0.121
ET-D3LET30	0.180
ET-D75LE30	0.121
ET-D3LET40	0.130
ET-D75LE40	0.124
ET-D3LEW50/ET-D75LE50	0.203
ET-D3LEW60/ET-D75LE6	0.212
ET-D3LET80/ET-D75LE8	0.262

Projection relationship diagram
(ET-D3LEU101,ET-D3LEU100, ET-D3LEW201, ET-D3LEW200)



Note

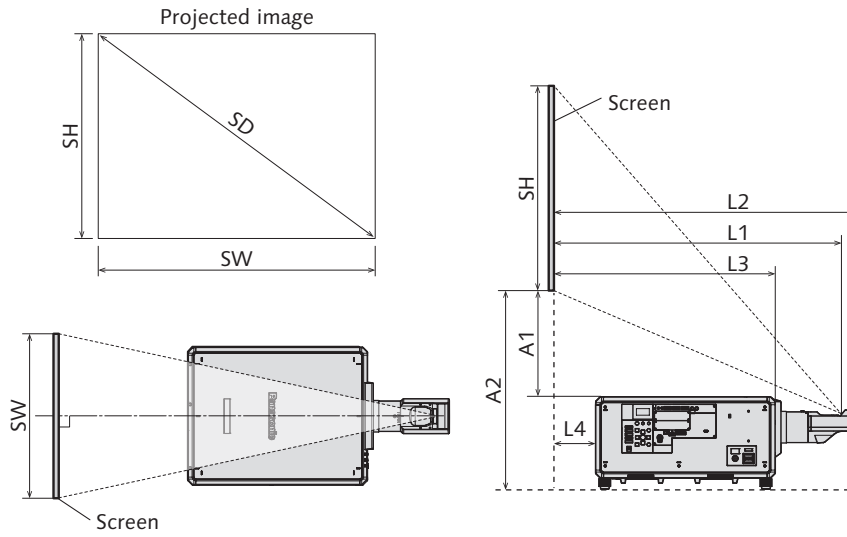
- This diagram assumes that the size and position of the projected image will be adjusted so that the image fits the entire screen.
- This illustration is not drawn to scale.
- The values are approximate.

SH	Projected image height
SW	Projected image width
SD	Projected image size
L	Projection distance
LW	Minimum projection distance when the Zoom Lens is used
LT	Maximum projection distance when the Zoom Lens is used
L1	Distance from front of projector to edge of lens
L2	Distance from front of projector to center of lens
L3	Distance from side of projector to center of lens

unit : m

Projection lens Model No.	Lens protrusion dimension (L1)	Position of the lens optical axis (L2)	Position of the lens apex (L3)
ET-D3LEU101/ET-D3LEU100	0.29	0.21	0.10
ET-D3LEW201/ET-D3LEW200	0.35	0.26	0.13

Projection relationship diagram
(ET-D75LE95)



Note

- This diagram assumes that the size and position of the projected image will be adjusted so that the image fits the entire screen.
- This illustration is not drawn to scale.
- The values are approximate.

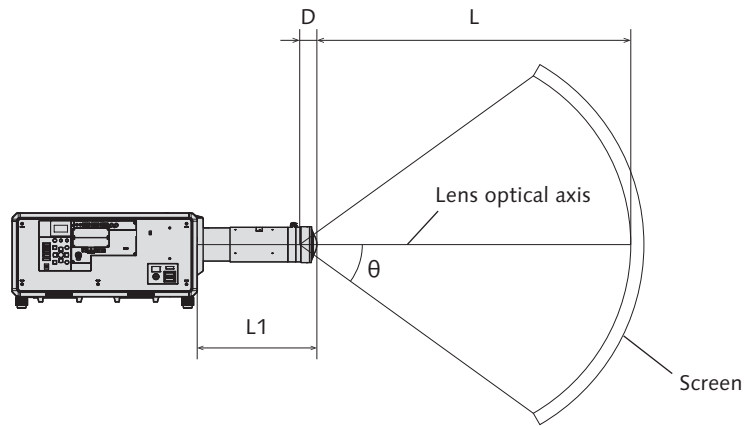
SH	Projected image height
SW	Projected image width
SD	Projected image size
L1	Projection distance (from the screen to the mirror reflection surface ¹)
L2	Distance between the projector and the screen (from the screen to the tip of the lens)
L3	Distance between the projector and the screen (from the screen to the front surface of the projector)
L4	Distance between the projector and the screen (from the screen to the rear surface of the projector)
A1	Distance between the projector and the screen (from the screen bottom edge to the projector top)
A2	Distance between the projector and the screen (from the screen bottom edge to the projector bottom)

¹ The mirror reflection surface cannot be seen from the outside, because it is located inside the Fixed-focus Lens.

unit : m

Distance from the projector to the screen	Formula
L2	= L1 + 0.029
L3	= L1 - 0.292
L4	= L1 - 1.072
A2	= A1 + 0.402

Projection relationship diagram
(ET-D3LEF70)



Note

- This diagram assumes that the size and position of the projected image will be adjusted so that the image fits the entire screen.
- This illustration is not drawn to scale.
- The values are approximate.

L	Projection distance (From the front of the lens to the screen)
L1	Distance from front of projector to edge of lens
θ	Projected angle
D	Exit pupil position

unit : m

Projection distance (L) range (m)	2 - ∞
L1 dimension	0.385
Exit pupil position (D) formula	$= -10^{-8} \times \theta^3 - 3 \times 10^{-7} \times \theta^2 - 1.73 \times 10^{-5} \times \theta + 0.02342$

Projected angle (θ) (degrees)	Exit pupil position (D) (m) ¹
10	0.0232
20	0.0229
30	0.0224
40	0.0216
50	0.0206
60	0.0191
70	0.0173
80	0.0150
91.6	0.0116

¹ There may be slight discrepancies in the exit pupil positions.

Projection distance

A ±5% error in listed projection distances may occur.

When [SCREEN ADJUSTMENT] is used, distance is corrected to become smaller than the specified image size.

Screen aspect ratio 16:10

Unit: meters

Lens type			Zoom lens																			
Projection lens Model No.			ET-D3LEW201 ¹ ET-D3LEW200 ¹	ET-D3LEW300	ET-D3LEW60 ET-D75LE6	ET-D3LEW10	ET-D75LE10	ET-D3LES20 ET-D75LE20	ET-D3LET30	ET-D75LE30	ET-D3LET40											
Throw ratio ²			0.645-0.850:1	0.770-0.933:1	0.924-1.10:1	1.26-1.72:1	1.30-1.67:1	1.67-2.41:1	2.40-4.66:1	2.40-4.66:1	4.61-7.41:1											
Projection screen size			Projection distance (L)																			
Diagonal (SD)	Height (SH)	Width (SW)	Min. (LW)		Max. (LT)		Min. (LW)		Max. (LT)		Min. (LW)		Max. (LT)		Min. (LW)		Max. (LT)		Min. (LW)		Max. (LT)	
			m	inches																		
1.78	70	0.942	1.508	-	-	1.15	1.40	1.36	1.63	1.85	2.54	1.90	2.46	2.46	3.58	3.54	6.94	3.56	6.94	6.86	11.08	
2.03	80	1.077	1.723	-	-	1.31	1.60	1.56	1.87	2.13	2.92	2.19	2.83	2.82	4.11	4.06	7.96	4.08	7.96	7.86	12.68	
2.29	90	1.212	1.939	-	-	1.48	1.80	1.77	2.11	2.40	3.30	2.47	3.20	3.19	4.64	4.59	8.97	4.61	8.98	8.86	14.29	
2.54	100	1.346	2.154	-	-	1.65	2.00	1.97	2.35	2.68	3.68	2.76	3.56	3.55	5.17	5.11	9.99	5.13	9.99	9.87	15.90	
3.05	120	1.615	2.585	-	-	1.98	2.41	2.38	2.84	3.23	4.43	3.32	4.30	4.28	6.22	6.16	12.03	6.18	12.03	11.87	19.12	
3.81	150	2.019	3.231	-	-	2.49	3.02	2.98	3.57	4.06	5.57	4.18	5.40	5.37	7.81	7.73	15.08	7.75	15.08	14.88	23.94	
5.08	200	2.692	4.308	2.78	3.66	3.32	4.03	4.00	4.78	5.44	7.45	5.60	7.24	7.19	10.45	10.34	20.17	10.38	20.16	19.90	31.99	
6.35	250	3.365	5.385	3.50	4.61	4.16	5.04	5.01	6.00	6.83	9.34	7.02	9.07	9.00	13.09	12.96	25.26	13.00	25.25	24.92	40.03	
7.62	300	4.039	6.462	4.22	5.55	5.00	6.05	6.02	7.21	8.21	11.23	8.44	10.91	10.82	15.73	15.58	30.35	15.62	30.34	29.93	48.07	
8.89	350	4.712	7.539	4.94	6.49	5.83	7.07	7.04	8.42	9.59	13.12	9.86	12.74	12.64	18.37	18.20	35.45	18.24	35.42	34.95	56.12	
10.16	400	5.385	8.616	5.66	7.44	6.67	8.08	8.05	9.64	10.97	15.01	11.28	14.58	14.46	21.01	20.81	40.54	20.86	40.51	39.97	64.16	
12.70	500	6.731	10.770	7.09	9.32	8.35	10.11	10.08	12.07	13.74	18.79	14.12	18.25	18.09	26.29	26.05	50.72	26.11	50.68	50.00	80.24	
15.24	600	8.077	12.923	8.53	11.21	10.02	12.13	12.10	14.49	16.50	22.57	16.96	21.92	21.73	31.58	31.28	60.90	31.35	60.85	60.03	96.33	
17.78	700	9.423	15.077	-	-	11.70	14.16	14.13	16.92	19.27	26.35	19.80	25.60	25.36	36.86	36.52	71.08	36.60	71.02	70.07	112.42	
20.32	800	10.770	17.231	-	-	13.37	16.18	16.16	19.35	22.03	30.13	22.64	29.27	29.00	42.14	41.75	81.26	41.84	81.19	80.10	128.50	
22.86	900	12.116	19.385	-	-	15.05	18.21	18.18	21.78	24.80	33.90	25.48	32.94	32.63	47.42	46.99	91.44	47.09	91.36	90.14	144.59	
25.40	1000	13.462	21.539	-	-	16.72	20.24	20.21	24.21	27.56	37.68	28.33	36.61	36.27	52.70	52.22	101.62	52.33	101.53	100.17	160.67	

Lens type			Zoom lens						Fixed-Focus Lens					
Projection lens Model No.			ET-D75LE40	ET-D3LET80 ET-D75LE8	ET-D3LEU101 ¹ ET-D3LEU100 ¹	ET-D3LEW50 ET-D75LE50	ET-D75LE95 ¹							
Throw ratio ²			4.62-7.38:1	7.34-13.8:1	0.370:1	0.694:1	0.364:1							
Projection screen size			Projection distance (L)						Projection distance (L1)	Distance between the projector and the screen				
Diagonal (SD)	Height (SH)	Width (SW)	Min. (LW)	Max. (LT)	Min. (LW)	Max. (LT)	Fixed	Fixed		(L4)	(A1)			
m	inches													
1.78	70	0.942	1.508	6.87	11.04	10.85	20.69	-	1.01	-	-	-		
2.03	80	1.077	1.723	7.88	12.65	12.45	23.70	-	1.16	-	-	-		
2.29	90	1.212	1.939	8.88	14.25	14.06	26.71	-	1.32	-	-	-		
2.54	100	1.346	2.154	9.88	15.85	15.66	29.71	-	1.47	-	-	-		
3.05	120	1.615	2.585	11.89	19.05	18.88	35.73	-	1.78	0.94	-0.13	0.17-0.33		
3.81	150	2.019	3.231	14.90	23.85	23.69	44.75	-	2.24	1.18	0.10	0.24-0.44		
5.08	200	2.692	4.308	19.92	31.86	31.72	59.79	1.59	3.01	1.56	0.49	0.37-0.63		
6.35	250	3.365	5.385	24.95	39.86	39.74	74.82	2.01	3.78	1.95	0.87	0.49-0.82		
7.62	300	4.039	6.462	29.97	47.87	47.77	89.86	2.42	4.56	2.33	1.26	0.62-1.02		
8.89	350	4.712	7.539	34.99	55.87	55.79	104.90	2.84	5.33	2.72	1.64	0.74-1.21		
10.16	400	5.385	8.616	40.01	63.87	63.82	119.94	3.25	6.10	3.10	2.03	0.86-1.40		
12.70	500	6.731	10.770	50.05	79.88	79.87	150.01	4.08	7.64	3.87	2.80	1.11-1.78		
15.24	600	8.077	12.923	60.09	95.89	95.92	180.08	4.91	9.18	4.64	3.57	1.36-2.16		
17.78	700	9.423	15.077	70.13	111.90	111.97	-	-	10.72	-	-	-		
20.32	800	10.770	17.231	80.17	127.91	128.02	-	-	12.27	-	-	-		
22.86	900	12.116	19.385	90.21	143.92	144.07	-	-	13.81	-	-	-		
25.40	1000	13.462	21.539	100.25	159.93	160.13	-	-	15.35	-	-	-		

1 When the Zoom lens (Model No.: ET-D3LEW201, ET-D3LEW200) Fixed-focus Lens (Model No.: ET-D75LE95, ET-D3LEU101, ET-D3LEU100) or the Fisheye Lens (Model No.: ET-D3LEF70) is used, the projection relation between the screen and the projector differs from that of other lenses.

2 The throw ratio is based on the value during projection with the projected image size of 150 in.

Screen aspect ratio 16:10

Unit: feet

Lens type			Zoom lens																		
Projection lens Model No.		ET-D3LEW201 ¹ ET-D3LEW200 ¹	ET-D3LEW300	ET-D3LEW60 ET-D75LE6	ET-D3LEW10	ET-D75LE10	ET-D3LES20 ET-D75LE20	ET-D3LET30	ET-D75LE30	ET-D3LET40											
Throw ratio ²		0.645-0.850:1	0.770-0.933:1	0.924-1.10:1	1.26-1.72:1	1.30-1.67:1	1.67-2.41:1	2.40-4.66:1	2.40-4.66:1	4.61-7.41:1											
Projection screen size			Projection distance (L)																		
Diagonal (SD)	Height (SH)	Width (SW)	Min. (LW)	Max. (LT)	Min. (LW)	Max. (LT)	Min. (LW)	Max. (LT)	Min. (LW)	Max. (LT)	Min. (LW)	Max. (LT)	Min. (LW)	Max. (LT)	Min. (LW)	Max. (LT)	Min. (LW)	Max. (LT)	Min. (LW)	Max. (LT)	
																					m
1.78	70	0.942	1.508	-	-	3.77	4.59	4.46	5.35	6.07	8.33	6.23	8.07	8.07	11.75	11.61	22.77	11.68	22.77	22.51	36.35
2.03	80	1.077	1.723	-	-	4.30	5.25	5.12	6.14	6.99	9.58	7.18	9.28	9.25	13.48	13.32	26.12	13.39	26.12	25.79	41.60
2.29	90	1.212	1.939	-	-	4.86	5.91	5.81	6.92	7.87	10.83	8.10	10.50	10.47	15.22	15.06	29.43	15.12	29.46	29.07	46.88
2.54	100	1.346	2.154	-	-	5.41	6.56	6.46	7.71	8.79	12.07	9.06	11.68	11.65	16.96	16.76	32.78	16.83	32.78	32.38	52.16
3.05	120	1.615	2.585	-	-	6.50	7.91	7.81	9.32	10.60	14.53	10.89	14.11	14.04	20.41	20.21	39.47	20.28	39.47	38.94	62.73
3.81	150	2.019	3.231	-	-	8.17	9.91	9.78	11.71	13.32	18.27	13.71	17.72	17.62	25.62	25.36	49.47	25.43	49.47	48.82	78.54
5.08	200	2.692	4.308	9.12	12.01	10.89	13.22	13.12	15.68	17.85	24.44	18.37	23.75	23.59	34.28	33.92	66.17	34.05	66.14	65.29	104.95
6.35	250	3.365	5.385	11.48	15.12	13.65	16.54	16.44	19.68	22.41	30.64	23.03	29.76	29.53	42.95	42.52	82.87	42.65	82.84	81.76	131.33
7.62	300	4.039	6.462	13.84	18.21	16.40	19.85	19.75	23.65	26.94	36.84	27.69	35.79	35.50	51.61	51.11	99.57	51.25	99.54	98.19	157.71
8.89	350	4.712	7.539	16.21	21.29	19.13	23.20	23.10	27.62	31.46	43.04	32.35	41.80	41.47	60.27	59.71	116.30	59.84	116.21	114.66	184.12
10.16	400	5.385	8.616	18.57	24.41	21.88	26.51	26.41	31.63	35.99	49.24	37.01	47.83	47.44	68.93	68.27	133.00	68.44	132.91	131.13	210.50
12.70	500	6.731	10.770	23.26	30.58	27.39	33.17	33.07	39.60	45.08	61.65	46.32	59.87	59.35	86.25	85.46	166.40	85.66	166.27	164.04	263.25
15.24	600	8.077	12.923	27.99	36.78	32.87	39.80	39.70	47.54	54.13	74.05	55.64	71.92	71.29	103.61	102.62	199.80	102.85	199.64	196.95	316.04
17.78	700	9.423	15.077	-	-	38.39	46.46	46.36	55.51	63.22	86.45	64.96	83.99	83.20	120.93	119.81	233.20	120.08	233.00	229.89	368.83
20.32	800	10.770	17.231	-	-	43.86	53.08	53.02	63.48	72.28	98.85	74.28	96.03	95.14	138.25	136.97	266.60	137.27	266.37	262.79	421.58
22.86	900	12.116	19.385	-	-	49.38	59.74	59.64	71.46	81.36	111.22	83.59	108.07	107.05	155.58	154.16	300.00	154.49	299.73	295.73	474.37
25.40	1000	13.462	21.539	-	-	54.85	66.40	66.30	79.43	90.42	123.62	92.95	120.11	118.99	172.90	171.32	333.39	171.68	333.10	328.64	527.13

Lens type			Zoom lens				Fixed-Focus Lens					
Projection lens Model No.		ET-D75LE40	ET-D3LET80 ET-D75LE8	ET-D3LEU101 ¹ ET-D3LEU100 ¹	ET-D3LEW50 ET-D75LE50	ET-D75LE95 ¹						
Throw ratio ²		4.62-7.38:1	7.34-13.8:1	0.370:1	0.694:1	0.364:1						
Projection screen size			Projection distance (L)						Projection distance (L1)	Distance between the projector and the screen		
Diagonal (SD)	Height (SH)	Width (SW)	Min. (LW)	Max. (LT)	Min. (LW)	Max. (LT)	Fixed	Fixed		(L4)	(A1)	
m	inches											
1.78	70	0.942	1.508	22.54	36.22	35.60	67.88	-	3.31	-	-	-
2.03	80	1.077	1.723	25.85	41.50	40.85	77.75	-	3.81	-	-	-
2.29	90	1.212	1.939	29.13	46.75	46.13	87.63	-	4.33	-	-	-
2.54	100	1.346	2.154	32.41	52.00	51.38	97.47	-	4.82	-	-	-
3.05	120	1.615	2.585	39.01	62.50	61.94	117.22	-	5.84	3.08	-0.43	0.56-1.08
3.81	150	2.019	3.231	48.88	78.25	77.72	146.82	-	7.35	3.87	0.33	0.79-1.44
5.08	200	2.692	4.308	65.35	104.53	104.07	196.16	5.22	9.88	5.12	1.61	1.21-2.07
6.35	250	3.365	5.385	81.86	130.77	130.38	245.47	6.59	12.40	6.40	2.85	1.61-2.69
7.62	300	4.039	6.462	98.33	157.05	156.72	294.81	7.94	14.96	7.64	4.13	2.03-3.35
8.89	350	4.712	7.539	114.80	183.30	183.04	344.16	9.32	17.49	8.92	5.38	2.43-3.97
10.16	400	5.385	8.616	131.26	209.54	209.38	393.50	10.66	20.01	10.17	6.66	2.82-4.59
12.70	500	6.731	10.770	164.20	262.07	262.04	492.15	13.39	25.07	12.70	9.19	3.64-5.84
15.24	600	8.077	12.923	197.14	314.60	314.69	590.81	16.11	30.12	15.22	11.71	4.46-7.09
17.78	700	9.423	15.077	230.08	367.12	367.35	-	-	35.17	-	-	-
20.32	800	10.770	17.231	263.02	419.65	420.01	-	-	40.26	-	-	-
22.86	900	12.116	19.385	295.96	472.17	472.66	-	-	45.31	-	-	-
25.40	1000	13.462	21.539	328.90	524.70	525.35	-	-	50.36	-	-	-

- When the Zoom lens (Model No.: ET-D3LEW201, ET-D3LEW200) Fixed-focus Lens (Model No.: ET-D75LE95, ET-D3LEU101, ET-D3LEU100) or the Fisheye Lens (Model No.: ET-D3LEF70) is used, the projection relation between the screen and the projector differs from that of other lenses.
- The throw ratio is based on the value during projection with the projected image size of 150 in.

Screen aspect ratio 16:9

Unit: meters

Lens type			Zoom lens																		
Projection lens Model No.			ET-D3LEW201 ¹ ET-D3LEW200 ¹	ET-D3LEW300	ET-D3LEW60 ET-D75LE6	ET-D3LEW10	ET-D75LE10	ET-D3LES20 ET-D75LE20	ET-D3LET30	ET-D75LE30	ET-D3LET40										
Throw ratio ²			0.646-0.851:1	0.770-0.933:1	0.924-1.10:1	1.26-1.72:1	1.30-1.67:1	1.67-2.41:1	2.40-4.66:1	2.41-4.66:1	4.61-7.41:1										
Projection screen size			Projection distance (L)																		
Diagonal (SD)	Height (SH)	Width (SW)	Min. (LW)	Max. (LT)	Min. (LW)	Max. (LT)	Min. (LW)	Max. (LT)	Min. (LW)	Max. (LT)	Min. (LW)	Max. (LT)	Min. (LW)	Max. (LT)	Min. (LW)	Max. (LT)	Min. (LW)	Max. (LT)	Min. (LW)	Max. (LT)	
																					m
1.78	70	0.872	1.550	-	-	1.18	1.44	1.40	1.67	1.90	2.62	1.96	2.53	2.53	3.68	3.64	7.14	3.66	7.14	7.05	11.39
2.03	80	0.996	1.771	-	-	1.35	1.64	1.61	1.92	2.19	3.00	2.25	2.91	2.91	4.23	4.18	8.18	4.20	8.19	8.08	13.04
2.29	90	1.121	1.992	-	-	1.52	1.85	1.82	2.17	2.47	3.39	2.54	3.29	3.28	4.77	4.72	9.23	4.74	9.23	9.11	14.70
2.54	100	1.245	2.214	-	-	1.69	2.06	2.03	2.42	2.76	3.78	2.83	3.67	3.65	5.31	5.25	10.28	5.28	10.28	10.15	16.35
3.05	120	1.494	2.657	-	-	2.04	2.48	2.44	2.92	3.32	4.56	3.42	4.42	4.40	6.40	6.33	12.37	6.35	12.37	12.21	19.66
3.81	150	1.868	3.321	-	-	2.55	3.10	3.07	3.67	4.18	5.72	4.29	5.55	5.52	8.03	7.94	15.51	7.97	15.50	15.30	24.61
5.08	200	2.491	4.428	2.86	3.77	3.42	4.14	4.11	4.92	5.60	7.66	5.75	7.44	7.39	10.74	10.63	20.74	10.67	20.73	20.46	32.88
6.35	250	3.113	5.535	3.60	4.74	4.28	5.18	5.15	6.17	7.02	9.61	7.21	9.33	9.26	13.46	13.32	25.97	13.36	25.96	25.61	41.15
7.62	300	3.736	6.641	4.34	5.71	5.14	6.22	6.19	7.41	8.44	11.55	8.67	11.21	11.13	16.17	16.01	31.20	16.06	31.18	30.77	49.41
8.89	350	4.358	7.748	5.08	6.68	6.00	7.26	7.23	8.66	9.86	13.49	10.13	13.10	12.99	18.88	18.70	36.44	18.75	36.41	35.93	57.68
10.16	400	4.981	8.855	5.82	7.65	6.86	8.31	8.28	9.91	11.28	15.43	11.59	14.99	14.86	21.60	21.39	41.67	21.45	41.64	41.08	65.95
12.70	500	6.226	11.069	7.29	9.58	8.58	10.39	10.36	12.40	14.12	19.32	14.51	18.76	18.60	27.03	26.77	52.13	26.84	52.09	51.40	82.48
15.24	600	7.472	13.283	8.77	11.52	10.30	12.47	12.44	14.90	16.96	23.20	17.44	22.54	22.33	32.46	32.15	62.60	32.23	62.54	61.71	99.01
17.78	700	8.717	15.497	-	-	12.02	14.55	14.52	17.39	19.81	27.08	20.36	26.31	26.07	37.89	37.53	73.06	37.62	73.00	72.02	115.55
20.32	800	9.962	17.710	-	-	13.74	16.63	16.61	19.89	22.65	30.97	23.28	30.09	29.81	43.31	42.92	83.53	43.01	83.45	82.33	132.08
22.86	900	11.207	19.924	-	-	15.47	18.72	18.69	22.39	25.49	34.85	26.20	33.86	33.54	48.74	48.30	93.99	48.40	93.90	92.65	148.61
25.40	1000	12.453	22.138	-	-	17.19	20.80	20.77	24.88	28.33	38.73	29.12	37.63	37.28	54.17	53.68	104.45	53.79	104.36	102.96	165.15

Lens type			Zoom lens				Fixed-Focus Lens					
Projection lens Model No.			ET-D75LE40	ET-D3LET80 ET-D75LE8	ET-D3LEU101 ¹ ET-D3LEU100 ¹	ET-D3LEW50 ET-D75LE50	ET-D75LE95 ¹					
Throw ratio ²			4.62-7.38:1	7.34-13.8:1	0.370:1	0.695:1	0.364:1					
Projection screen size			Projection distance (L)						Projection distance (L1)	Distance between the projector and the screen		
Diagonal (SD)	Height (SH)	Width (SW)	Min. (LW)	Max. (LT)	Min. (LW)	Max. (LT)	Fixed	Fixed		(L4)	(A1)	
m	inches											
1.78	70	0.872	1.550	7.07	11.36	11.16	21.28	-	1.04	-	-	-
2.03	80	0.996	1.771	8.10	13.00	12.81	24.37	-	1.20	-	-	-
2.29	90	1.121	1.992	9.13	14.65	14.46	27.46	-	1.36	-	-	-
2.54	100	1.245	2.214	10.16	16.29	16.11	30.55	-	1.51	-	-	-
3.05	120	1.494	2.657	12.23	19.58	19.41	36.73	-	1.83	0.97	-0.10	0.18-0.43
3.81	150	1.868	3.321	15.32	24.52	24.36	46.00	-	2.31	1.21	0.14	0.26-0.56
5.08	200	2.491	4.428	20.48	32.75	32.61	61.46	1.64	3.10	1.60	0.53	0.38-0.79
6.35	250	3.113	5.535	25.64	40.97	40.86	76.91	2.06	3.89	2.00	0.93	0.51-1.02
7.62	300	3.736	6.641	30.80	49.20	49.11	92.37	2.49	4.68	2.39	1.32	0.64-1.25
8.89	350	4.358	7.748	35.96	57.43	57.35	107.82	2.92	5.48	2.79	1.72	0.77-1.49
10.16	400	4.981	8.855	41.12	65.65	65.60	123.28	3.34	6.27	3.19	2.11	0.89-1.72
12.70	500	6.226	11.069	51.44	82.11	82.10	154.19	4.19	7.85	3.98	2.91	1.15-2.18
15.24	600	7.472	13.283	61.76	98.56	98.60	185.10	5.05	9.44	4.77	3.70	1.40-2.64
17.78	700	8.717	15.497	72.08	115.02	115.10	-	-	11.02	-	-	-
20.32	800	9.962	17.710	82.41	131.47	131.59	-	-	12.61	-	-	-
22.86	900	11.207	19.924	92.73	147.92	148.09	-	-	14.19	-	-	-
25.40	1000	12.453	22.138	103.05	164.38	164.59	-	-	15.78	-	-	-

- When the Zoom lens (Model No.: ET-D3LEW201, ET-D3LEW200) Fixed-focus Lens (Model No.: ET-D75LE95, ET-D3LEU101, ET-D3LEU100) or the Fisheye Lens (Model No.: ET-D3LEF70) is used, the projection relation between the screen and the projector differs from that of other lenses.
- The throw ratio is based on the value during projection with the projected image size of 150 in

Screen aspect ratio 16:9

Unit: feet

Lens type			Zoom lens																		
Projection lens Model No.			ET-D3LEW201 ¹ ET-D3LEW200 ¹	ET-D3LEW300	ET-D3LEW60 ET-D75LE6	ET-D3LEW10	ET-D75LE10	ET-D75LE10	ET-D3LES20 ET-D75LE20	ET-D3LET30	ET-D75LE30	ET-D3LET40									
Throw ratio ²			0.646-0.851:1	0.770-0.933:1	0.924-1.10:1	1.26-1.72:1	1.30-1.67:1	1.67-2.41:1	2.40-4.66:1	2.41-4.66:1	4.61-7.41:1										
Projection screen size			Projection distance (L)																		
Diagonal (SD)	Height (SH)	Width (SW)	Min. (LW)	Max. (LT)	Min. (LW)	Max. (LT)	Min. (LW)	Max. (LT)	Min. (LW)	Max. (LT)	Min. (LW)	Max. (LT)	Min. (LW)	Max. (LT)	Min. (LW)	Max. (LT)	Min. (LW)	Max. (LT)	Min. (LW)	Max. (LT)	
																					m
1.78	70	0.872	1.550	-	-	3.87	4.72	4.59	5.48	6.23	8.60	6.43	8.30	8.30	12.07	11.94	23.42	12.01	23.42	23.13	37.37
2.03	80	0.996	1.771	-	-	4.43	5.38	5.28	6.30	7.18	9.84	7.38	9.55	9.55	13.88	13.71	26.84	13.78	26.87	26.51	42.78
2.29	90	1.121	1.992	-	-	4.99	6.07	5.97	7.12	8.10	11.12	8.33	10.79	10.76	15.65	15.49	30.28	15.55	30.28	29.89	48.23
2.54	100	1.245	2.214	-	-	5.54	6.76	6.66	7.94	9.06	12.40	9.28	12.04	11.97	17.42	17.22	33.73	17.32	33.73	33.30	53.64
3.05	120	1.494	2.657	-	-	6.69	8.14	8.01	9.58	10.89	14.96	11.22	14.50	14.44	21.00	20.77	40.58	20.83	40.58	40.06	64.50
3.81	150	1.868	3.321	-	-	8.37	10.17	10.07	12.04	13.71	18.77	14.07	18.21	18.11	26.34	26.05	50.89	26.15	50.85	50.20	80.74
5.08	200	2.491	4.428	9.38	12.37	11.22	13.58	13.48	16.14	18.37	25.13	18.86	24.41	24.25	35.24	34.87	68.04	35.01	68.01	67.13	107.87
6.35	250	3.113	5.535	11.81	15.55	14.04	16.99	16.90	20.24	23.03	31.53	23.65	30.61	30.38	44.16	43.70	85.20	43.83	85.17	84.02	135.00
7.62	300	3.736	6.641	14.24	18.73	16.86	20.41	20.31	24.31	27.69	37.89	28.44	36.78	36.52	53.05	52.53	102.36	52.69	102.30	100.95	162.10
8.89	350	4.358	7.748	16.67	21.92	19.68	23.82	23.72	28.41	32.35	44.26	33.23	42.98	42.62	61.94	61.35	119.55	61.52	119.45	117.88	189.24
10.16	400	4.981	8.855	19.09	25.10	22.51	27.26	27.17	32.51	37.01	50.62	38.02	49.18	48.75	70.87	70.18	136.71	70.37	136.61	134.78	216.37
12.70	500	6.226	11.069	23.92	31.43	28.15	34.09	33.99	40.68	46.32	63.39	47.60	61.55	61.02	88.68	87.83	171.03	88.06	170.90	168.63	270.60
15.24	600	7.472	13.283	28.77	37.79	33.79	40.91	40.81	48.88	55.64	76.11	57.22	73.95	73.26	106.49	105.48	205.38	105.74	205.18	202.46	324.83
17.78	700	8.717	15.497	-	-	39.44	47.74	47.64	57.05	64.99	88.84	66.80	86.32	85.53	124.31	123.13	239.70	123.42	239.50	236.28	379.10
20.32	800	9.962	17.710	-	-	45.08	54.56	54.49	65.26	74.31	101.61	76.38	98.72	97.80	142.09	140.81	274.05	141.11	273.78	270.11	433.33
22.86	900	11.207	19.924	-	-	50.75	61.42	61.32	73.46	83.63	114.34	85.96	111.09	110.04	159.91	158.46	308.36	158.79	308.07	303.97	487.56
25.40	1000	12.453	22.138	-	-	56.40	68.24	68.14	81.63	92.95	127.07	95.54	123.46	122.31	177.72	176.11	342.68	176.47	342.38	337.79	541.82

Lens type			Zoom lens						Fixed-Focus Lens				
Projection lens Model No.			ET-D75LE40	ET-D3LET80 ET-D75LE8	ET-D3LEU101 ¹ ET-D3LEU100 ¹	ET-D3LEW50 ET-D75LE50	ET-D75LE95 ¹						
Throw ratio ²			4.62-7.38:1	7.34-13.8:1	0.370:1	0.695:1	0.364:1						
Projection screen size			Projection distance (L)						Projection distance (L1)	Distance between the projector and the screen			
Diagonal (SD)	Height (SH)	Width (SW)	Min. (LW)	Max. (LT)	Min. (LW)	Max. (LT)	Fixed	Fixed		(L4)	(A1)		
m	inches												
1.78	70	0.872	1.550	23.20	37.27	36.61	69.82	-	3.41	-	-	-	
2.03	80	0.996	1.771	26.57	42.65	42.03	79.95	-	3.94	-	-	-	
2.29	90	1.121	1.992	29.95	48.06	47.44	90.09	-	4.46	-	-	-	
2.54	100	1.245	2.214	33.33	53.44	52.85	100.23	-	4.95	-	-	-	
3.05	120	1.494	2.657	40.12	64.24	63.68	120.50	-	6.00	3.18	-0.33	0.59-1.41	
3.81	150	1.868	3.321	50.26	80.45	79.92	150.92	-	7.58	3.97	0.46	0.85-1.84	
5.08	200	2.491	4.428	67.19	107.45	106.99	201.64	5.38	10.17	5.25	1.74	1.25-2.59	
6.35	250	3.113	5.535	84.12	134.41	134.05	252.33	6.76	12.76	6.56	3.05	1.67-3.35	
7.62	300	3.736	6.641	101.05	161.42	161.12	303.05	8.17	15.35	7.84	4.33	2.10-4.10	
8.89	350	4.358	7.748	117.98	188.42	188.15	353.74	9.58	17.98	9.15	5.64	2.53-4.89	
10.16	400	4.981	8.855	134.91	215.38	215.22	404.46	10.96	20.57	10.47	6.92	2.92-5.64	
12.70	500	6.226	11.069	168.76	269.39	269.35	505.87	13.75	25.75	13.06	9.55	3.77-7.15	
15.24	600	7.472	13.283	202.62	323.36	323.49	607.28	16.57	30.97	15.65	12.14	4.59-8.66	
17.78	700	8.717	15.497	236.48	377.36	377.62	-	-	36.15	-	-	-	
20.32	800	9.962	17.710	270.37	431.33	431.72	-	-	41.37	-	-	-	
22.86	900	11.207	19.924	304.23	485.30	485.85	-	-	46.55	-	-	-	
25.40	1000	12.453	22.138	338.09	539.30	539.99	-	-	51.77	-	-	-	

- When the Zoom lens (Model No.: ET-D3LEW201, ET-D3LEW200) Fixed-focus Lens (Model No.: ET-D75LE95, ET-D3LEU101, ET-D3LEU100) or the Fisheye Lens (Model No.: ET-D3LEF70) is used, the projection relation between the screen and the projector differs from that of other lenses.
- The throw ratio is based on the value during projection with the projected image size of 150 in

Screen aspect ratio 4:3

Unit: meters

Lens type				Zoom lens																	
Projection lens Model No.		ET-D3LEW201 ¹ ET-D3LEW200 ¹	ET-D3LEW300	ET-D3LEW60 ET-D75LE6	ET-D3LEW10	ET-D75LE10	ET-D3LES20 ET-D75LE20	ET-D3LET30	ET-D75LE30	ET-D3LET40											
Throw ratio ²		0.778-1.02:1	0.925-1.12:1	1.12-1.32:1	1.52-2.07:1	1.56-2.01:1	2.00-2.90:1	2.88-5.61:1	2.89-5.60:1	5.54-8.90:1											
Projection screen size				Projection distance (L)																	
Diagonal (SD)		Height (SH)	Width (SW)	Min. (LW)	Max. (LT)	Min. (LW)	Max. (LT)	Min. (LW)	Max. (LT)	Min. (LW)	Max. (LT)	Min. (LW)	Max. (LT)	Min. (LW)	Max. (LT)	Min. (LW)	Max. (LT)	Min. (LW)	Max. (LT)	Min. (LW)	Max. (LT)
m	inches																				
1.78	70	1.067	1.422	-	-	1.30	1.58	1.55	1.85	2.10	2.89	2.17	2.80	2.80	4.07	4.02	7.88	4.04	7.88	7.78	12.56
2.03	80	1.219	1.626	-	-	1.49	1.81	1.78	2.13	2.42	3.32	2.49	3.22	3.21	4.67	4.61	9.03	4.64	9.03	8.92	14.38
2.29	90	1.372	1.829	-	-	1.68	2.04	2.01	2.40	2.73	3.75	2.81	3.63	3.62	5.27	5.21	10.18	5.23	10.19	10.06	16.20
2.54	100	1.524	2.032	-	-	1.87	2.27	2.24	2.68	3.04	4.18	3.13	4.05	4.03	5.86	5.80	11.34	5.82	11.34	11.19	18.03
3.05	120	1.829	2.438	-	-	2.25	2.73	2.70	3.22	3.67	5.03	3.77	4.88	4.86	7.06	6.99	13.64	7.01	13.64	13.46	21.67
3.81	150	2.286	3.048	-	-	2.82	3.42	3.38	4.05	4.61	6.31	4.74	6.13	6.09	8.85	8.76	17.10	8.79	17.09	16.87	27.13
5.08	200	3.048	4.064	3.16	4.16	3.77	4.56	4.53	5.42	6.17	8.45	6.35	8.21	8.15	11.84	11.73	22.86	11.76	22.85	22.55	36.24
6.35	250	3.810	5.080	3.97	5.23	4.71	5.71	5.68	6.80	7.74	10.59	7.96	10.28	10.20	14.83	14.69	28.63	14.73	28.61	28.23	45.34
7.62	300	4.572	6.096	4.79	6.30	5.66	6.86	6.83	8.17	9.30	12.73	9.56	12.36	12.26	17.82	17.65	34.39	17.70	34.36	33.91	54.45
8.89	350	5.334	7.112	5.60	7.37	6.61	8.00	7.97	9.55	10.87	14.87	11.17	14.44	14.32	20.81	20.61	40.15	20.67	40.12	39.59	63.55
10.16	400	6.096	8.128	6.42	8.43	7.56	9.15	9.12	10.92	12.43	17.01	12.78	16.52	16.38	23.80	23.58	45.91	23.63	45.88	45.27	72.66
12.70	500	7.620	10.160	8.05	10.57	9.45	11.44	11.41	13.67	15.56	21.29	16.00	20.68	20.49	29.78	29.50	57.44	29.57	57.39	56.63	90.87
15.24	600	9.144	12.192	9.67	12.70	11.35	13.74	13.71	16.42	18.69	25.56	19.21	24.83	24.61	35.76	35.43	68.97	35.51	68.91	67.99	109.08
17.78	700	10.668	14.224	-	-	13.25	16.03	16.00	19.17	21.82	29.84	22.43	28.99	28.72	41.74	41.36	80.49	41.45	80.42	79.35	127.29
20.32	800	12.192	16.256	-	-	15.14	18.32	18.30	21.92	24.95	34.12	25.65	33.15	32.84	47.72	47.28	92.02	47.38	91.93	90.70	145.50
22.86	900	13.716	18.288	-	-	17.04	20.62	20.59	24.66	28.09	38.40	28.86	37.31	36.95	53.70	53.21	103.54	53.32	103.45	102.06	163.71
25.40	1000	15.240	20.320	-	-	18.93	22.91	22.89	27.41	31.22	42.67	32.08	41.46	41.07	59.68	59.13	115.03	59.26	114.96	113.42	181.92

Lens type				Zoom lens				Fixed-Focus Lens				
Projection lens Model No.		ET-D75LE40	ET-D3LET80 ET-D75LE8	ET-D3LEU101 ¹ ET-D3LEU100 ¹	ET-D3LEW50 ET-D75LE50	ET-D75LE95 ¹						
Throw ratio ²		5.55-8.86:1	8.82-16.6:1	0.446:1	0.836:1	0.436:1						
Projection screen size				Projection distance (L)					Projection distance (L1)	Distance between the projector and the screen		
Diagonal (SD)	Height (SH)	Width (SW)	Min. (LW)	Max. (LT)	Min. (LW)	Max. (LT)	Fixed	Fixed		(L4)	(A1)	
m	inches											
1.78	70	1.067	1.422	7.80	12.52	12.33	23.47	-	1.15	-	-	-
2.03	80	1.219	1.626	8.94	14.34	14.15	26.88	-	1.33	-	-	-
2.29	90	1.372	1.829	10.07	16.15	15.97	30.28	-	1.50	-	-	-
2.54	100	1.524	2.032	11.21	17.96	17.78	33.69	-	1.67	-	-	-
3.05	120	1.829	2.438	13.48	21.59	21.42	40.50	-	2.02	1.07	-0.01	0.21-0.39
3.81	150	2.286	3.048	16.89	27.02	26.87	50.71	-	2.55	1.33	0.26	0.29-0.52
5.08	200	3.048	4.064	22.58	36.09	35.96	67.73	1.81	3.42	1.76	0.69	0.43-0.74
6.35	250	3.810	5.080	28.26	45.15	45.04	84.75	2.28	4.29	2.20	1.13	0.57-0.95
7.62	300	4.572	6.096	33.94	54.21	54.13	101.78	2.75	5.17	2.64	1.56	0.71-1.17
8.89	350	5.334	7.112	39.63	63.27	63.21	118.80	3.22	6.04	3.07	2.00	0.85-1.38
10.16	400	6.096	8.128	45.31	72.33	72.30	135.82	3.69	6.91	3.51	2.43	0.99-1.60
12.70	500	7.620	10.160	56.68	90.45	90.47	169.87	4.63	8.66	4.38	3.31	1.27-2.03
15.24	600	9.144	12.192	68.05	108.58	108.64	203.91	5.56	10.40	5.25	4.18	1.55-2.46
17.78	700	10.668	14.224	79.41	126.70	126.81	-	-	12.15	-	-	-
20.32	800	12.192	16.256	90.78	144.82	144.98	-	-	13.90	-	-	-
22.86	900	13.716	18.288	102.15	162.95	163.15	-	-	15.64	-	-	-
25.40	1000	15.240	20.320	113.52	181.07	181.33	-	-	17.39	-	-	-

1 When the Zoom lens (Model No.: ET-D3LEW201, ET-D3LEW200) Fixed-focus Lens (Model No.: ET-D75LE95, ET-D3LEU101, ET-D3LEU100) or the Fisheye Lens (Model No.: ET-D3LEF70) is used, the projection relation between the screen and the projector differs from that of other lenses.

2 The throw ratio is based on the value during projection with the projected image size of 150 in

Screen aspect ratio 4:3

Unit: feet

Lens type			Zoom lens																		
Projection lens Model No.		ET-D3LEW201 ¹ ET-D3LEW200 ¹	ET-D3LEW300	ET-D3LEW60 ET-D75LE6	ET-D3LEW10	ET-D75LE10	ET-D3LES20 ET-D75LE20	ET-D3LET30	ET-D75LE30	ET-D3LET40											
Throw ratio ²		0.778-1.02:1	0.925-1.12:1	1.12-1.32:1	1.52-2.07:1	1.56-2.01:1	2.00-2.90:1	2.88-5.61:1	2.89-5.60:1	5.54-8.90:1											
Projection screen size			Projection distance (L)																		
Diagonal (SD)	Height (SH)	Width (SW)	Min. (LW)	Max. (LT)	Min. (LW)	Max. (LT)	Min. (LW)	Max. (LT)	Min. (LW)	Max. (LT)	Min. (LW)	Max. (LT)	Min. (LW)	Max. (LT)	Min. (LW)	Max. (LT)	Min. (LW)	Max. (LT)	Min. (LW)	Max. (LT)	
																					m
1.78	70	1.067	1.422	-	-	4.27	5.18	5.09	6.07	6.89	9.48	7.12	9.19	9.19	13.35	13.19	25.85	13.25	25.85	25.52	41.21
2.03	80	1.219	1.626	-	-	4.89	5.94	5.84	6.99	7.94	10.89	8.17	10.56	10.53	15.32	15.12	29.63	15.22	29.63	29.26	47.18
2.29	90	1.372	1.829	-	-	5.51	6.69	6.59	7.87	8.96	12.30	9.22	11.91	11.88	17.29	17.09	33.40	17.16	33.43	33.00	53.15
2.54	100	1.524	2.032	-	-	6.14	7.45	7.35	8.79	9.97	13.71	10.27	13.29	13.22	19.23	19.03	37.20	19.09	37.20	36.71	59.15
3.05	120	1.829	2.438	-	-	7.38	8.96	8.86	10.56	12.04	16.50	12.37	16.01	15.94	23.16	22.93	44.75	23.00	44.75	44.16	71.09
3.81	150	2.286	3.048	-	-	9.25	11.22	11.09	13.29	15.12	20.70	15.55	20.11	19.98	29.04	28.74	56.10	28.84	56.07	55.35	89.01
5.08	200	3.048	4.064	10.37	13.65	12.37	14.96	14.86	17.78	20.24	27.72	20.83	26.94	26.74	38.84	38.48	75.00	38.58	74.97	73.98	118.90
6.35	250	3.810	5.080	13.02	17.16	15.45	18.73	18.63	22.31	25.39	34.74	26.12	33.73	33.46	48.65	48.19	93.93	48.33	93.86	92.62	148.75
7.62	300	4.572	6.096	15.72	20.67	18.57	22.51	22.41	26.80	30.51	41.76	31.36	40.55	40.22	58.46	57.91	112.83	58.07	112.73	111.25	178.64
8.89	350	5.334	7.112	18.37	24.18	21.69	26.25	26.15	31.33	35.66	48.79	36.65	47.37	46.98	68.27	67.62	131.72	67.81	131.63	129.89	208.49
10.16	400	6.096	8.128	21.06	27.66	24.80	30.02	29.92	35.83	40.78	55.81	41.93	54.20	53.74	78.08	77.36	150.62	77.53	150.52	148.52	238.38
12.70	500	7.620	10.160	26.41	34.68	31.00	37.53	37.43	44.85	51.05	69.85	52.49	67.85	67.22	97.70	96.78	188.45	97.01	188.29	185.79	298.13
15.24	600	9.144	12.192	31.73	41.67	37.24	45.08	44.98	53.87	61.32	83.86	63.02	81.46	80.74	117.32	116.24	226.28	116.50	226.08	223.06	357.87
17.78	700	10.668	14.224	-	-	43.47	52.59	52.49	62.89	71.59	97.90	73.59	95.11	94.22	136.94	135.69	264.07	135.99	263.84	260.33	417.61
20.32	800	12.192	16.256	-	-	49.67	60.10	60.04	71.92	81.86	111.94	84.15	108.76	107.74	156.56	155.12	301.90	155.44	301.60	297.57	477.36
22.86	900	13.716	18.288	-	-	55.90	67.65	67.55	80.90	92.16	125.98	94.68	122.41	121.23	176.18	174.57	339.69	174.93	339.40	334.84	537.10
25.40	1000	15.240	20.320	-	-	62.11	75.16	75.10	89.93	102.43	139.99	105.25	136.02	134.74	195.80	193.99	377.39	194.42	377.16	372.11	596.84

Lens type			Zoom lens				Fixed-Focus Lens					
Projection lens Model No.		ET-D75LE40	ET-D3LET80 ET-D75LE8	ET-D3LEU101 ¹ ET-D3LEU100 ¹	ET-D3LEW50 ET-D75LE50	ET-D75LE95 ¹						
Throw ratio ²		5.55-8.86:1	8.82-16.6:1	0.446:1	0.836:1	0.436:1						
Projection screen size			Projection distance (L)						Projection distance (L1)	Distance between the projector and the screen		
Diagonal (SD)	Height (SH)	Width (SW)	Min. (LW)	Max. (LT)	Min. (LW)	Max. (LT)	Fixed	Fixed		(L4)	(A1)	
m	inches											
1.78	70	1.067	1.422	25.59	41.08	40.45	77.00	-	3.77	-	-	-
2.03	80	1.219	1.626	29.33	47.05	46.42	88.19	-	4.36	-	-	-
2.29	90	1.372	1.829	33.04	52.98	52.39	99.34	-	4.92	-	-	-
2.54	100	1.524	2.032	36.78	58.92	58.33	110.53	-	5.48	-	-	-
3.05	120	1.829	2.438	44.23	70.83	70.27	132.87	-	6.63	3.51	-0.03	0.69-1.28
3.81	150	2.286	3.048	55.41	88.65	88.16	166.37	-	8.37	4.36	0.85	0.95-1.71
5.08	200	3.048	4.064	74.08	118.40	117.98	222.21	5.94	11.22	5.77	2.26	1.41-2.43
6.35	250	3.810	5.080	92.72	148.13	147.77	278.05	7.48	14.07	7.22	3.71	1.87-3.12
7.62	300	4.572	6.096	111.35	177.85	177.59	333.92	9.02	16.96	8.66	5.12	2.33-3.84
8.89	350	5.334	7.112	130.02	207.58	207.38	389.76	10.56	19.82	10.07	6.56	2.79-4.53
10.16	400	6.096	8.128	148.65	237.30	237.20	445.60	12.11	22.67	11.52	7.97	3.25-5.25
12.70	500	7.620	10.160	185.96	296.75	296.81	557.31	15.19	28.41	14.37	10.86	4.17-6.66
15.24	600	9.144	12.192	223.26	356.23	356.43	668.99	18.24	34.12	17.22	13.71	5.09-8.07
17.78	700	10.668	14.224	260.53	415.68	416.04	-	-	39.86	-	-	-
20.32	800	12.192	16.256	297.83	475.13	475.65	-	-	45.60	-	-	-
22.86	900	13.716	18.288	335.13	534.61	535.26	-	-	51.31	-	-	-
25.40	1000	15.240	20.320	372.44	594.05	594.91	-	-	57.05	-	-	-

- When the Zoom lens (Model No.: ET-D3LEW201, ET-D3LEW200) Fixed-focus Lens (Model No.: ET-D75LE95, ET-D3LEU101, ET-D3LEU100) or the Fisheye Lens (Model No.: ET-D3LEF70) is used, the projection relation between the screen and the projector differs from that of other lenses.
- The throw ratio is based on the value during projection with the projected image size of 150 in

Calculation of the projection distance

To use a projected image size not listed in this manual, check the projected image size SD (m) and use the respective formula to calculate the value. The unit of all the formulae is m. (Values obtained by the following calculation formulae contain a slight error.)

When calculating the value using image size designation (value in inches), multiply the value in inches by 0.0254 and substitute it into SD in the formula.

Zoom lens

Unit: m

Projection lens Model No.	Throw ratio	Aspect ratio	Projection distance (L) formula	
			Min. (LW)	Max. (LT)
ET-D3LEW201 ET-D3LEW200	0.645-0.850:1	16:10	$=0.5665 \times SD - 0.1001$	$=0.7425 \times SD - 0.1076$
	0.646-0.851:1	16:9	$=0.5823 \times SD - 0.1001$	$=0.7632 \times SD - 0.1076$
	0.778-1.02:1	4:3	$=0.6414 \times SD - 0.1001$	$=0.8406 \times SD - 0.1076$
ET-D3LEW300	0.770-0.933:1	16:10	$=0.6594 \times SD - 0.0272$	$=0.7976 \times SD - 0.0231$
	0.770-0.933:1	16:9	$=0.6777 \times SD - 0.0272$	$=0.8197 \times SD - 0.0231$
	0.925-1.12:1	4:3	$=0.7465 \times SD - 0.0272$	$=0.9029 \times SD - 0.0231$
ET-D3LEW60 ET-D75LE6	0.924-1.10:1	16:10	$=0.7979 \times SD - 0.0566$	$=0.9559 \times SD - 0.0736$
	0.924-1.10:1	16:9	$=0.8201 \times SD - 0.0566$	$=0.9825 \times SD - 0.0736$
	1.12-1.32:1	4:3	$=0.9032 \times SD - 0.0566$	$=1.0822 \times SD - 0.0736$
ET-D3LEW10	1.26-1.72:1	16:10	$=1.0886 \times SD - 0.0867$	$=1.4876 \times SD - 0.1025$
	1.26-1.72:1	16:9	$=1.1188 \times SD - 0.0867$	$=1.5290 \times SD - 0.1025$
	1.52-2.07:1	4:3	$=1.2324 \times SD - 0.0867$	$=1.6841 \times SD - 0.1025$
ET-D75LE10	1.30-1.67:1	16:10	$=1.1186 \times SD - 0.0857$	$=1.4458 \times SD - 0.1085$
	1.30-1.67:1	16:9	$=1.1497 \times SD - 0.0857$	$=1.4860 \times SD - 0.1085$
	1.56-2.01:1	4:3	$=1.2663 \times SD - 0.0857$	$=1.6367 \times SD - 0.1085$
ET-D3LES20 ET-D75LE20	1.67-2.41:1	16:10	$=1.4312 \times SD - 0.0832$	$=2.0795 \times SD - 0.1162$
	1.67-2.41:1	16:9	$=1.4709 \times SD - 0.0832$	$=2.1373 \times SD - 0.1162$
	2.00-2.90:1	4:3	$=1.6202 \times SD - 0.0832$	$=2.3542 \times SD - 0.1162$
ET-D3LET30	2.40-4.66:1	16:10	$=2.0609 \times SD - 0.1261$	$=4.0084 \times SD - 0.1892$
	2.40-4.66:1	16:9	$=2.1182 \times SD - 0.1261$	$=4.1198 \times SD - 0.1892$
	2.88-5.61:1	4:3	$=2.3331 \times SD - 0.1261$	$=4.5378 \times SD - 0.1892$
ET-D75LE30	2.40-4.66:1	16:10	$=2.0647 \times SD - 0.1131$	$=4.0041 \times SD - 0.1765$
	2.41-4.66:1	16:9	$=2.1221 \times SD - 0.1131$	$=4.1155 \times SD - 0.1765$
	2.89-5.60:1	4:3	$=2.3374 \times SD - 0.1131$	$=4.5330 \times SD - 0.1765$
ET-D3LET40	4.61-7.41:1	16:10	$=3.9505 \times SD - 0.1673$	$=6.3330 \times SD - 0.1846$
	4.61-7.41:1	16:9	$=4.0601 \times SD - 0.1673$	$=6.5091 \times SD - 0.1846$
	5.54-8.90:1	4:3	$=4.4720 \times SD - 0.1673$	$=7.1694 \times SD - 0.1846$
ET-D75LE40	4.62-7.38:1	16:10	$=3.9532 \times SD - 0.1577$	$=6.3027 \times SD - 0.1615$
	4.62-7.38:1	16:9	$=4.0631 \times SD - 0.1577$	$=6.4779 \times SD - 0.1615$
	5.55-8.86:1	4:3	$=4.4754 \times SD - 0.1577$	$=7.1351 \times SD - 0.1615$
ET-D3LET80 ET-D75LE8	7.34-13.8:1	16:10	$=6.3193 \times SD - 0.3862$	$=11.8400 \times SD - 0.3598$
	7.34-13.8:1	16:9	$=6.4950 \times SD - 0.3862$	$=12.1692 \times SD - 0.3598$
	8.82-16.6:1	4:3	$=7.1540 \times SD - 0.3862$	$=13.4039 \times SD - 0.3598$

Fixed lens

Unit: m

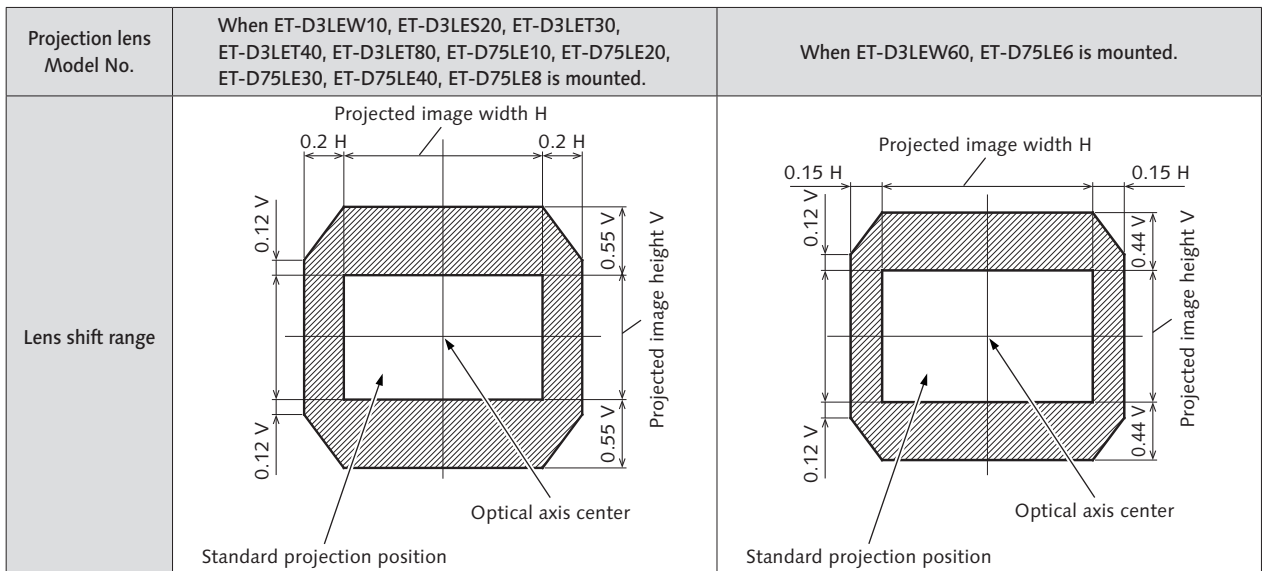
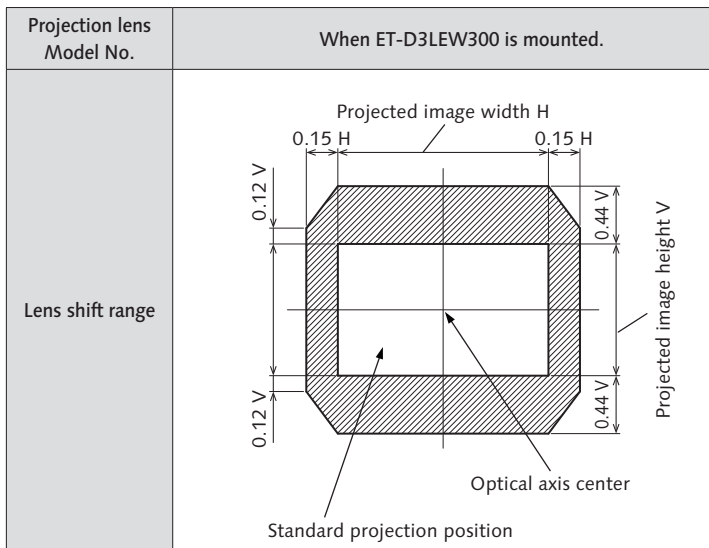
Projection lens Model No.	Throw ratio	Aspect ratio	Projection distance (L) formula
ET-D3LEU101 ET-D3LEU100	0.370:1	16:10	$=0.3264 \times SD - 0.0664$
	0.370:1	16:9	$=0.3355 \times SD - 0.0664$
	0.446:1	4:3	$=0.3695 \times SD - 0.0664$
ET-D3LEW50 ET-D75LE50	0.694:1	16:10	$=0.6072 \times SD - 0.0713$
	0.695:1	16:9	$=0.6240 \times SD - 0.0713$
	0.836:1	4:3	$=0.6873 \times SD - 0.0713$

Projection lens Model No.	Throw ratio	Aspect ratio	Projection distance (L1) formula	Distance between the projector and the screen (A1) formula	
				Min.	Max.
ET-D75LE95	0.364:1	16:10	$=0.303 \times SD + 0.020$	$=0.184 \times SH - 0.128$	$=0.283 \times SH - 0.128$
	0.364:1	16:9	$=0.312 \times SD + 0.020$	$=0.205 \times SH - 0.128$	$=0.370 \times SH - 0.128$
	0.436:1	4:3	$=0.343 \times SD + 0.020$	$=0.184 \times SH - 0.128$	$=0.283 \times SH - 0.128$

Adjustment range by the lens position shift (optical shift)

Based on the standard projection position using the optical axis shift function, the projection position can be adjusted in the range shown in the following figure.

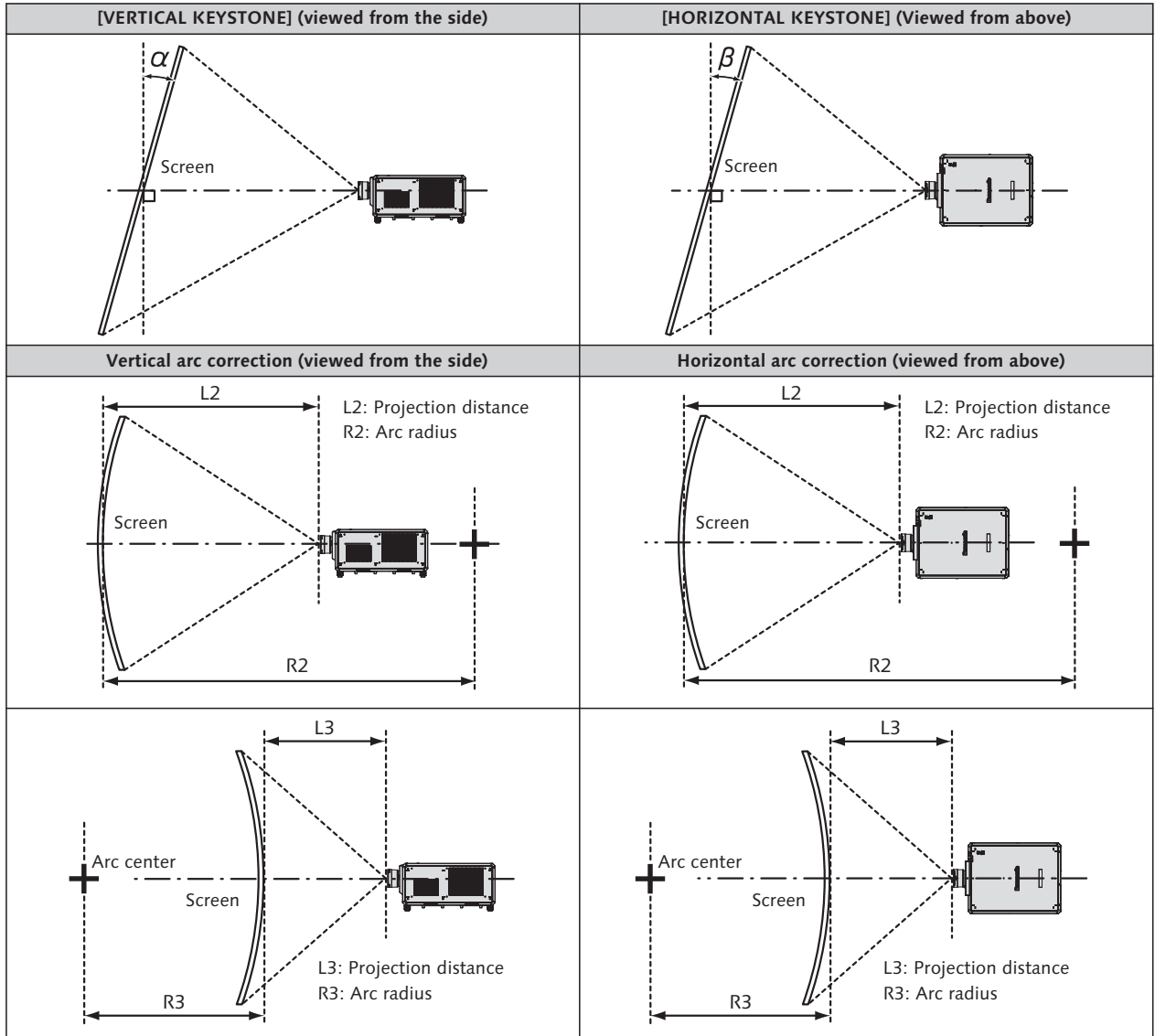
Following figure shows the adjustment range when the projector is installed on the floor.



Projection lens Model No.	When ET-D3LEW201, ET-D3LEW200 is mounted.	When ET-D3LEU101, ET-D3LEU100 is mounted.
Lens shift range	<p>Projected image width H</p> <p>0.15 H</p> <p>0.15 H</p> <p>0.12 V</p> <p>0.12 V</p> <p>0.48 V</p> <p>0.48 V</p> <p>Projected image height V</p> <p>Optical axis center</p> <p>Standard projection position</p>	<p>Projected image width H</p> <p>0.25 H</p> <p>0.55 V</p> <p>0.55 V</p> <p>0.12 V</p> <p>0.12 V</p> <p>Projected image height V</p> <p>Optical axis center</p> <p>Standard projection position</p> <p>Part of the image may be obscured</p>
Projection lens Model No.	When ET-D75LE95 is mounted.	When ET-D3LEF70 is mounted.
Lens shift range	<p>Projected image width H</p> <p>0.12 H</p> <p>0.12 H</p> <p>0.05 V</p> <p>0.05 V</p> <p>0.73 V</p> <p>0.07 V</p> <p>Projected image height V</p> <p>Optical axis center</p> <p>Standard projection position</p>	<p>Projected image width H</p> <p>0.12 H</p> <p>0.12 H</p> <p>0.27 V</p> <p>0.27 V</p> <p>Projected image height V</p> <p>Optical axis center</p> <p>Standard projection position</p>

- When using the fixed lens (Model No.: ET-D3LEW50, D75LE50) Use the projection lens in the standard projection position without adjusting the lens shift.

[GEOMETRY] projection range



Projection lens Model No.	Only [KEYSTONE] used ¹		[KEYSTONE] and [CURVED CORRECTION] used together				Only [CURVED CORRECTION] used	
	Vertical keystone correction angle α (°)	Horizontal keystone correction angle β (°)	Vertical keystone correction angle α (°)	Horizontal keystone correction angle β (°)	Min. value of R2/L2	Min. value of R3/L3	Min. value of R2/L2	Min. value of R3/L3
ET-D3LEW201 ET-D3LEW200	± 15	±5	-	-	-	-	-	-
ET-D3LEW300	± 15	±5	-	-	-	-	-	-
ET-D3LEW60 ET-D75LE6	± 28	± 15	± 10	± 10	1.2	3.0	0.7	1.7
ET-D3LEW10	± 40	± 40	± 20	± 15	0.9	2.0	0.5	1.1
ET-D75LE10	± 40	± 40	± 20	± 15	0.9	2.0	0.5	1.1
ET-D3LES20 ET-D75LE20	± 40	± 40	± 20	± 15	0.7	1.3	0.4	0.7
ET-D3LET30	± 45	± 40	± 20	± 15	0.5	0.9	0.3	0.5
ET-D75LE30	± 45	± 40	± 20	± 15	0.5	0.9	0.3	0.5
ET-D3LET40	± 45	± 40	± 20	± 15	0.3	0.5	0.2	0.3
ET-D75LE40	± 45	± 40	± 20	± 15	0.3	0.5	0.2	0.3
ET-D3LET80 ET-D75LE8	± 45	± 40	± 20	± 15	0.2	0.3	0.1	0.2
ET-D3LEU101 ET-D3LEU100	±8	±5	-	-	-	-	-	-
ET-D3LEW50 ET-D75LE50	± 22	± 15	±8	±8	1.5	3.7	0.9	2.2
ET-D75LE95 ²	+ 5/- 0	0	-	-	-	-	-	-

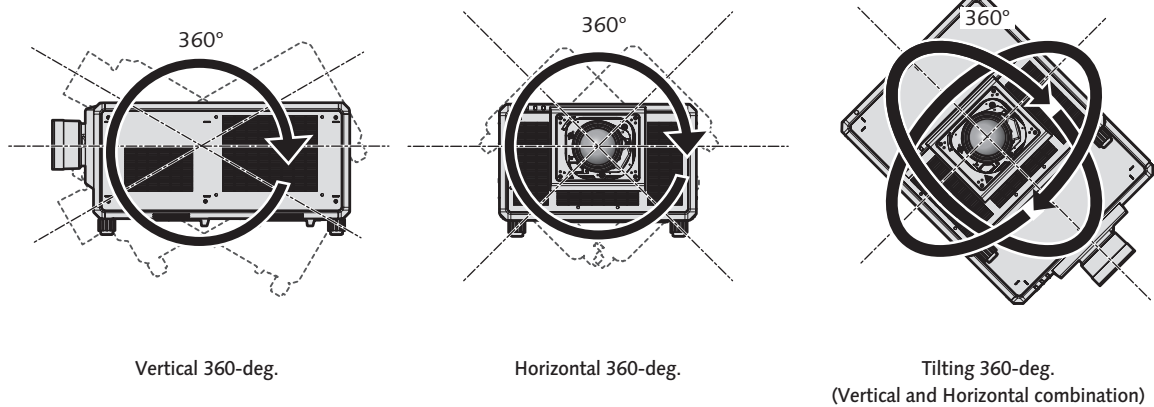
1 When [VERTICAL KEYSTONE] and [HORIZONTAL KEYSTONE] are used simultaneously, correction cannot be made exceeding total of 55°.
 2 Only the vertical keystone correction angle can be corrected in the direction in which the projector body moves away from the screen.

Note

- When [GEOMETRY] is used, the focus of the entire screen may be lost as correction increases.
- Make the curved screen a circular arc shape with one part of a perfect circle removed.
- Adjustment range of the [GEOMETRY] items may not match the listed projection range depending on the projection lens. Use this projector within the projection range, otherwise the correction may not work.

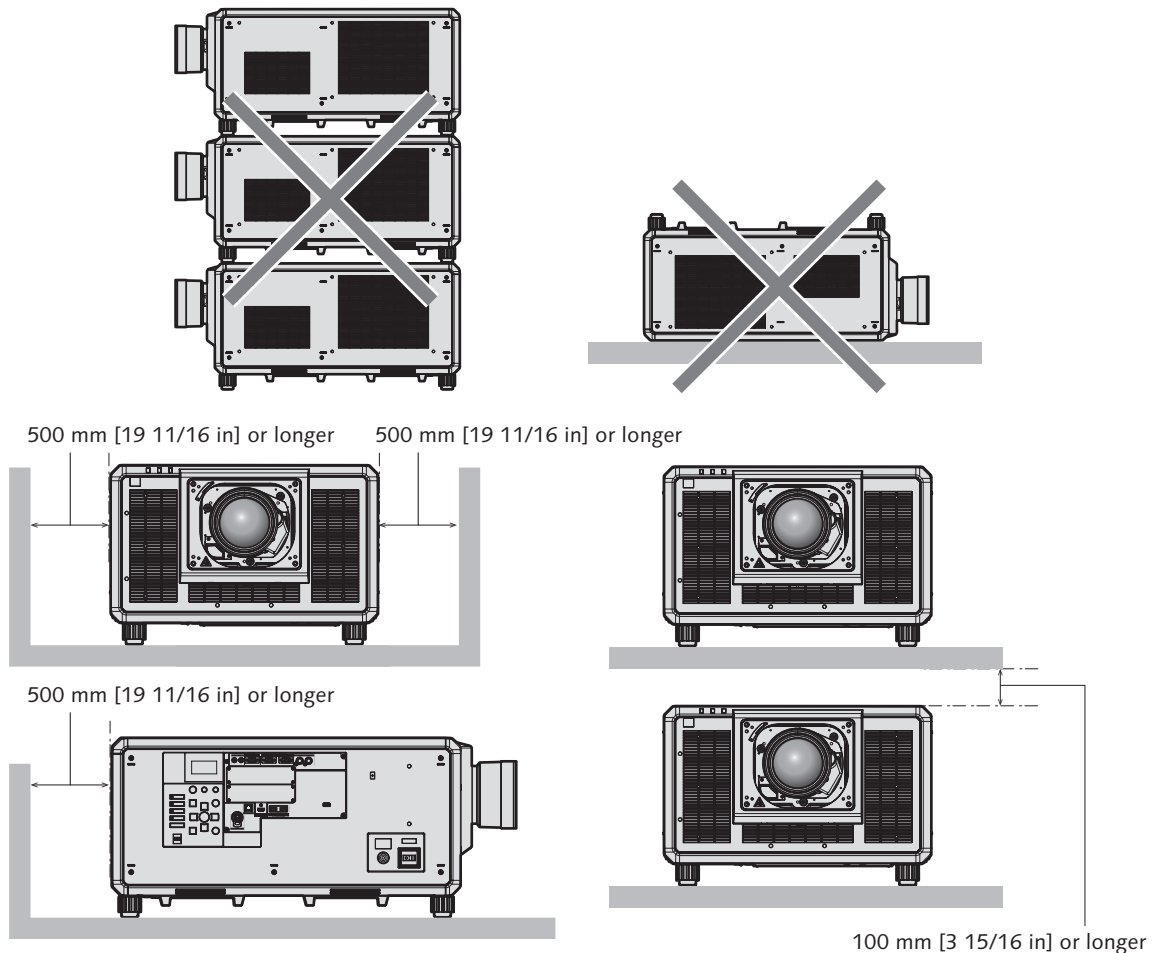
Installable angle

Install the projector at an angle within the range shown below.

FULL 360-degree projection

Notes on projector placement and operation

- Do not stack three or more projectors.
- Do not use the projector supporting it by the top.
- Do not block the intake/exhaust vents of the projector.
- Prevent hot and cool air from the air conditioning system to blow directly to the intake/exhaust vents of the projector.



- Do not install the projector in a confined space. When installing the projector in a confined space, provide air conditioning or ventilation separately. Exhaust heat may accumulate when the ventilation is not enough, triggering the protection circuit of the projector.
- When installing and fixing the projector on a ceiling or wall using a mount, make sure that the fixing screw or power cord does not come in contact with the metal section inside the ceiling or wall. Failure to observe this may result in electric shocks.
- Panasonic Connect Co., Ltd. takes no responsibility for any damage to the product caused by an inappropriate choice of location for installing the projector, even if the warranty period of the product has not expired.
- Immediately remove the product that is not in use anymore by asking a qualified technician.

List of compatible signals

For details of DisplayPort signal, refer to "List of DisplayPort compatible signals." For details of SDI signal, refer to "List of single link SDI compatible signals," "List of dual link SDI compatible signals," and "List of quad link SDI compatible signals".

This projector supports the signal with ✓ in the compatible signal column.

• The content of the compatible signal column is as follows.

-1: Single link (displays one image using one input signal.)

-2: Dual link (displays one image using two input signals.)

-3: Quad link (displays one image using four input signals.)

Signal name (SIGNAL FORMAT)	Resolution (Dots)	Scanning freq.		Dot clock freq. (MHz)	Compatible signal					
		H (kHz)	V (Hz)		DIGITAL LINK	HDMI™ ¹			DVI-D ²	
						1	1	2	3	1
480/60p	720 x 480	31.5	59.9	27.0	✓	✓	-	-	✓	-
576/50p	720 x 576	31.3	50.0	27.0	✓	✓	-	-	✓	-
720/60p	1280 x 720	45.0	60.0 ³	74.3	✓	✓	-	-	✓	-
720/50p	1280 x 720	37.5	50.0	74.3	✓	✓	-	-	✓	-
720/120p	1280 x 720	90.0	120.0 ³	148.5	✓	✓	-	-	-	-
1080/60i	1920 x 1080i	33.8	60.0 ³	74.3	✓	✓	-	-	✓	-
1080/50i	1920 x 1080i	28.1	50.0	74.3	✓	✓	-	-	✓	-
1080/24p	1920 x 1080	27.0	24.0 ³	74.3	✓	✓	-	-	✓	-
1080/24sF	1920 x 1080i	27.0	48.0 ³	74.3	✓	✓	-	-	✓	-
1080/25p	1920 x 1080	28.1	25.0	74.3	✓	✓	-	-	✓	-
1080/30p	1920 x 1080	33.8	30.0 ³	74.3	✓	✓	-	-	✓	-
1080/60p	1920 x 1080	67.5	60.0 ³	148.5	✓	✓	-	-	✓	-
1080/50p	1920 x 1080	56.3	50.0	148.5	✓	✓	-	-	✓	-
1080/120p	1920 x 1080	135.0	120.0 ³	297.0	✓	✓	-	-	-	-
2K/24p	2048 x 1080	27.0	24.0 ³	74.3	✓	✓	-	-	✓	-
2K/25p	2048 x 1080	28.1	25.0	74.3	✓	✓	-	-	✓	-
2K/30p	2048 x 1080	33.8	30.0 ³	74.3	✓	✓	-	-	✓	-
2K/48p	2048 x 1080	54.0	48.0 ³	148.5	✓	✓	-	-	✓	-
2K/60p	2048 x 1080	67.5	60.0 ³	148.5	✓	✓	-	-	✓	-
2K/50p	2048 x 1080	56.3	50.0	148.5	✓	✓	-	-	✓	-
3840 x 2160/24p	3840 x 2160	54.0	24.0 ³	297.0	✓	✓	-	✓	-	✓
3840 x 2160/25p	3840 x 2160	56.3	25.0	297.0	✓	✓	-	✓	-	✓
3840 x 2160/30p	3840 x 2160	67.5	30.0 ³	297.0	✓	✓	-	✓	-	✓
3840 x 2160/60p	3840 x 2160	135.0	60.0 ³	297.0	✓ ⁴	✓ ⁴	-	-	-	-
	3840 x 2160	135.0	60.0 ³	594.0	-	✓	✓	✓	-	✓
3840 x 2160/50p	3840 x 2160	112.5	50.0	297.0	✓ ⁴	✓ ⁴	-	-	-	-
	3840 x 2160	112.5	50.0	594.0	-	✓	✓	✓	-	✓
4096 x 2160/24p	4096 x 2160	54.0	24.0 ³	297.0	✓	✓	-	✓	-	✓
4096 x 2160/25p	4096 x 2160	56.3	25.0	297.0	✓	✓	-	✓	-	✓
4096 x 2160/30p	4096 x 2160	67.5	30.0 ³	297.0	✓	✓	-	✓	-	✓
4096 x 2160/60p	4096 x 2160	135.0	60.0 ³	297.0	✓ ⁴	✓ ⁴	-	-	-	-
	4096 x 2160	135.0	60.0 ³	594.0	-	✓	✓	✓	-	✓
4096 x 2160/50p	4096 x 2160	112.5	50.0	297.0	✓ ⁴	✓ ⁴	-	-	-	-
	4096 x 2160	112.5	50.0	594.0	-	✓	✓	✓	-	✓
640 x 480/60	640 x 480	31.5	59.9	25.2	✓	✓	-	-	✓	-
1024 x 768/50	1024 x 768	39.6	50.0	51.9	✓	✓	-	-	✓	-
1024 x 768/60	1024 x 768	48.4	60.0	65.0	✓	✓	-	-	✓	-
1280 x 800/50	1280 x 800	41.3	50.0	68.0	✓	✓	-	-	✓	-
1280 x 800/60	1280 x 800	49.7	59.8	83.5	✓	✓	-	-	✓	-
1280 x 1024/50	1280 x 1024	52.4	50.0	88.0	✓	✓	-	-	✓	-
1280 x 1024/60	1280 x 1024	64.0	60.0	108.0	✓	✓	-	-	✓	-
1366 x 768/50	1366 x 768	39.6	49.9	69.0	✓	✓	-	-	✓	-
1366 x 768/60	1366 x 768	47.7	59.8	85.5	✓	✓	-	-	✓	-
1400 x 1050/50	1400 x 1050	54.1	50.0	99.9	✓	✓	-	-	✓	-
1400 x 1050/60	1400 x 1050	65.2	60.0	122.6	✓	✓	-	-	✓	-
1440 x 900/50	1440 x 900	46.3	49.9	86.8	✓	✓	-	-	✓	-
1440 x 900/60	1440 x 900	55.9	59.9	106.5	✓	✓	-	-	✓	-
1600 x 900/50	1600 x 900	46.4	49.9	96.5	✓	✓	-	-	✓	-
1600 x 900/60	1600 x 900	55.9	60.0	119.0	✓	✓	-	-	✓	-
1600 x 1200/50	1600 x 1200	61.8	49.9	131.5	✓	✓	-	-	✓	-
1600 x 1200/60	1600 x 1200	75.0	60.0	162.0	✓	✓	-	-	✓	-
1680 x 1050/50	1680 x 1050	54.1	50.0	119.5	✓	✓	-	-	✓	-
1680 x 1050/60	1680 x 1050	65.3	60.0	146.3	✓	✓	-	-	✓	-

Signal name (SIGNAL FORMAT)	Resolution (Dots)	Scanning freq.		Dot clock freq. (MHz)	Compatible signal					
		H (kHz)	V (Hz)		DIGITAL LINK	HDMI™ ¹			DVI-D ²	
						1	1	2	3	1
1920 x 1080/240	1920 x 1080 ⁵	291.6	240.0	583.2	-	✓	-	-	-	-
1920 x 1200/50	1920 x 1200	61.8	49.9	158.3	✓	✓	-	-	✓	-
1920 x 1200/60RB	1920 x 1200 ⁶	74.0	60.0	154.0	✓	✓	-	-	✓	-
2560 x 1600/50	2560 x 1600	82.4	50.0	286.0	✓	✓	-	-	-	-
2560 x 1600/60	2560 x 1600	98.7	60.0	268.5	✓	✓	-	-	-	-
3840 x 2400/30	3840 x 2400 ⁶	73.0	30.0	286.2	✓	✓	-	-	-	-
3840 x 2400/50	3840 x 2400	123.6	49.9	633.0	-	-	-	✓	-	✓
	3840 x 2400 ⁶	122.9	50.0	481.6	-	✓	-	-	-	-
3840 x 2400/60	3840 x 2400	148.1	60.0	616.0	-	-	-	✓	-	✓
	3840 x 2400 ⁶	148.1	60.0	592.5	-	✓	-	-	-	-

- This is supported when the optional Interface Board for HDMI™ 2 input (Model No.: ET-MDNHM10) is installed in the slot.
Quad link is supported only when the optional Interface Board for HDMI™ 2 input (Model No.: ET-MDNHM10) is installed on both <SLOT 1> and <SLOT 2>.
- This is supported when the optional Interface Board for DVI-D 2 input (Model No.: ET-MDNDV10) is installed in the slot.
Quad link is supported only when the optional Interface Board for DVI-D 2 input (Model No.: ET-MDNDV10) is installed on both <SLOT 1> and <SLOT 2>.
- The signal with 1/1.001x vertical scanning frequency is also supported.
- YPbPr 4:2:0 format only
- This is supported when the optional High Frame Rate Upgrade Kit (Model No. ET-SUK10) has been activated.
- VESA CVT-RB (Reduced Blanking)-compliant

Note

- A signal with a different resolution is converted to the number of display dots. The number of display dots is as follows.
 - When the [ADVANCED MENU] menu → [[QUAD PIXEL DRIVE] is set to [ON]: 3840 x 2400
 - When the [ADVANCED MENU] menu → [[QUAD PIXEL DRIVE] is set to [OFF]: 1920 x 1200
- The "i" at the end of the resolution indicates an interlaced signal.
- When interlaced signals are connected, flickering may occur on the projected image.

List of Plug and play compatible signals

The following table specifies the video signals compatible with plug and play.

Signal with ✓ in the plug and play compatible signal column is the signal described in the EDID (extended display identification data) of the projector. For the signal without ✓ in the plug and play compatible signal column, the resolution may not be selected on the computer even if the projector is supporting it.

Signal name (SIGNAL FORMAT)	Resolution (Dots)	Scanning freq.		Dot clock freq. (MHz)	Plug and play Compatible signal								
		H (kHz)	V (Hz)		DIGITAL LINK			HDMI™			DVI-D ¹		
					4K/60p	4K/30p ²	2K	4K/60p ³	4K/30p	2K	EDID1	EDID2	EDID3
480/60p	720 x 480	31.5	59.9	27.0	✓	✓	✓	✓	✓	✓	✓	-	✓
576/50p	720 x 576	31.3	50.0	27.0	✓	✓	✓	✓	✓	✓	✓	-	✓
720/60p	1280 x 720	45.0	60.0	74.3	✓	✓	✓	✓	✓	✓	✓	-	✓
720/50p	1280 x 720	37.5	50.0	74.3	✓	✓	✓	✓	✓	✓	✓	-	✓
720/120p	1280 x 720	90.0	120.0	148.5	-	-	-	-	-	-	-	-	-
1080/60i	1920 x 1080i	33.8	60.0	74.3	✓	✓	✓	✓	✓	✓	✓	-	✓
1080/50i	1920 x 1080i	28.1	50.0	74.3	✓	✓	✓	✓	✓	✓	✓	-	✓
1080/24p	1920 x 1080	27.0	24.0	74.3	✓	✓	✓	✓	✓	✓	✓	-	✓
1080/24sF	1920 x 1080i	27.0	48.0	74.3	-	-	-	-	-	-	-	-	-
1080/25p	1920 x 1080	28.1	25.0	74.3	✓	✓	✓	✓	✓	✓	✓	-	✓
1080/30p	1920 x 1080	33.8	30.0	74.3	✓	✓	✓	✓	✓	✓	✓	-	✓
1080/60p	1920 x 1080	67.5	60.0	148.5	✓	✓	✓	✓	✓	✓	✓	-	✓
1080/50p	1920 x 1080	56.3	50.0	148.5	✓	✓	✓	✓	✓	✓	✓	-	✓
1080/120p	1920 x 1080	135.0	120.0	297.0	✓	✓	-	✓	✓	-	-	-	-
2K/24p	2048 x 1080	27.0	24.0	74.3	-	-	-	-	-	-	-	-	-
2K/25p	2048 x 1080	28.1	25.0	74.3	-	-	-	-	-	-	-	-	-
2K/30p	2048 x 1080	33.8	30.0	74.3	-	-	-	-	-	-	-	-	-
2K/48p	2048 x 1080	54.0	48.0	148.5	-	-	-	-	-	-	-	-	-
2K/60p	2048 x 1080	67.5	60.0	148.5	-	-	-	-	-	-	-	-	-
2K/50p	2048 x 1080	56.3	50.0	148.5	-	-	-	-	-	-	-	-	-
3840 x 2160/24p	3840 x 2160	54.0	24.0	297.0	✓	✓	-	✓	✓	-	-	-	-
3840 x 2160/25p	3840 x 2160	56.3	25.0	297.0	✓	✓	-	✓	✓	-	-	-	-
3840 x 2160/30p	3840 x 2160	67.5	30.0	297.0	✓	✓	-	✓	✓	-	-	-	-
3840 x 2160/60p	3840 x 2160	135.0	60.0	297.0	✓ ⁴	-	-	✓ ⁴	-	-	-	-	-
	3840 x 2160	135.0	60.0	594.0	-	-	-	✓	-	-	-	-	-
3840 x 2160/50p	3840 x 2160	112.5	50.0	297.0	✓ ⁴	-	-	✓ ⁴	-	-	-	-	-
	3840 x 2160	112.5	50.0	594.0	-	-	-	✓	-	-	-	-	-
4096 x 2160/24p	1096 x 2160	54.0	24.0	297.0	✓	✓	-	✓	✓	-	-	-	-
4096 x 2160/25p	1096 x 2160	56.3	25.0	297.0	✓	✓	-	✓	✓	-	-	-	-
4096 x 2160/30p	1096 x 2160	67.5	30.0	297.0	✓	✓	-	✓	✓	-	-	-	-
4096 x 2160/60p	1096 x 2160	135.0	60.0	297.0	✓ ⁴	-	-	✓ ⁴	-	-	-	-	-
	1096 x 2160	135.0	60.0	594.0	-	-	-	✓	-	-	-	-	-
4096 x 2160/50p	1096 x 2160	112.5	50.0	297.0	✓ ⁴	-	-	✓ ⁴	-	-	-	-	-
	1096 x 2160	112.5	50.0	594.0	-	-	-	✓	-	-	-	-	-
640 x 480/60	640 x 480	31.5	59.9	25.2	✓	✓	✓	✓	✓	✓	✓	✓	✓
1024 x 768/50	1024 x 768	39.6	50.0	51.9	-	-	-	-	-	-	-	-	-
1024 x 768/60	1024 x 768	48.4	60.0	65.0	✓	✓	✓	✓	✓	✓	-	✓	✓
1280 x 800/50	1280 x 800	41.3	50.0	68.0	-	-	-	-	-	-	-	-	-
1280 x 800/60	1280 x 800	49.7	59.8	83.5	-	-	-	-	-	-	-	-	-
1280 x 1024/50	1280 x 1024	52.4	50.0	88.0	-	-	-	-	-	-	-	-	-
1280 x 1024/60	1280 x 1024	64.0	60.0	108.0	-	-	-	-	-	-	-	-	-
1366 x 768/50	1366 x 768	39.6	49.9	69.0	-	-	-	-	-	-	-	-	-
1366 x 768/60	1366 x 768	47.7	59.8	85.5	-	-	-	-	-	-	-	-	-
1400 x 1050/50	1400 x 1050	54.1	50.0	99.9	-	-	-	-	-	-	-	-	-
1400 x 1050/60	1400 x 1050	65.2	60.0	122.6	✓	✓	✓	✓	✓	✓	-	✓	✓
1440 x 900/50	1440 x 900	46.3	49.9	86.8	-	-	-	-	-	-	-	-	-
1440 x 900/60	1440 x 900	55.9	59.9	106.5	-	-	-	-	-	-	-	-	-
1600 x 900/50	1600 x 900	46.4	49.9	96.5	-	-	-	-	-	-	-	-	-
1600 x 900/60	1600 x 900	55.9	60.0	119.0	✓	✓	✓	✓	✓	✓	-	✓	✓
1600 x 1200/50	1600 x 1200	61.8	49.9	131.5	-	-	-	-	-	-	-	-	-
1600 x 1200/60	1600 x 1200	75.0	60.0	162.0	✓	✓	✓	✓	✓	✓	-	✓	✓
1680 x 1050/50	1680 x 1050	54.1	50.0	119.5	-	-	-	-	-	-	-	-	-
1680 x 1050/60	1680 x 1050	65.3	60.0	146.3	-	-	-	-	-	-	-	-	-
1920 x 1080/240	1920 x 1080 ⁵	291.6	240.0	583.2	-	-	-	✓	-	-	-	-	-
1920 x 1200/50	1920 x 1200	61.8	49.9	158.3	-	-	-	-	-	-	-	-	-
1920 x 1200/60RB	1920 x 1200 ⁶	74.0	60.0	154.0	✓	✓	✓	✓	✓	✓	-	✓	✓
2560 x 1600/50	2560 x 1600	82.4	50.0	286.0	-	-	-	-	-	-	-	-	-
2560 x 1600/60	2560 x 1600	98.7	60.0	268.5	✓	✓	-	✓	✓	-	-	-	-

Signal name (SIGNAL FORMAT)	Resolution (Dots)	Scanning freq.		Dot clock freq. (MHz)	Plug and play Compatible signal								
		H (kHz)	V (Hz)		DIGITAL LINK			HDMI™			DVI-D ¹		
					4K/60p	4K/30p ²	2K	4K/60p ³	4K/30p	2K	EDID1	EDID2	EDID3
3840 x 2400/30	3840 x 2400 ⁶	73.0	30.0	286.2	-	-	-	-	-	-	-	-	-
3840 x 2400/50	3840 x 2400	123.6	49.9	633.0	-	-	-	-	-	-	-	-	-
	3840 x 2400 ⁶	122.9	50.0	481.6	-	-	-	-	-	-	-	-	-
3840 x 2400/60	3840 x 2400	148.1	60.0	616.0	-	-	-	-	-	-	-	-	-
	3840 x 2400 ⁶	148.1	60.0	592.5	-	-	-	-	-	-	-	-	-

1 This is supported when the optional Interface Board for DVI-D 2 input (Model No.: ET-MDNDV10) is installed in the slot.

2 4K/30p indicates 4K/30p/SDR and 4K/30p/HDR.

3 4K/60p indicates 4K/60p/SDR and 4K/60p/HDR.

4 YPbPr 4:2:0 format only

5 This is supported when the optional High Frame Rate Upgrade Kit (Model No. ET-SUK10) has been activated.

6 VESA CVT-RB (Reduced Blanking)-compliant

List of DisplayPort compatible signals

The following table specifies the DisplayPort signals that the projector can project.

This is supported when the optional Interface Board for DisplayPort 2 input (Model No.: ET-MDNDP10) is installed in the slot.

The following table specifies the video signals compatible with plug and play. Signal with ✓ in the plug and play compatible signal column is the signal described in the EDID (extended display identification data) of the projector. For the signal without ✓ in the plug and play compatible signal column, the resolution may not be selected on the computer even if the projector is supporting it.

Signal name (SIGNAL FORMAT)	Resolution (Dots)	Scanning freq.		Dot clock freq. (MHz)	Plug and play Compatible signal		
		H (KHz)	V (Hz)		4K/60p/HDR 4K/60p/SDR	4K/30p	2K
720/60p	1280 x 720	45.0	60.0 ¹	74.3	✓	✓	✓
720/50p	1280 x 720	37.5	50.0	74.3	✓	✓	✓
720/120p	1280 x 720	90.0	120.0 ¹	148.5	-	-	-
1080/24p	1920 x 1080	27.0	24.0 ¹	74.3	✓	✓	✓
1080/25p	1920 x 1080	28.1	25.0	74.3	✓	✓	✓
1080/30p	1920 x 1080	33.8	30.0 ¹	74.3	✓	✓	✓
1080/60p	1920 x 1080	67.5	60.0 ¹	148.5	✓	✓	✓
1080/50p	1920 x 1080	56.3	50.0	148.5	✓	✓	✓
1080/120p	1920 x 1080	135.0	120.0 ¹	297.0	✓	✓	-
2K/24p	2048 x 1080	27.0	24.0 ¹	74.3	-	-	-
2K/25p	2048 x 1080	28.1	25.0	74.3	-	-	-
2K/30p	2048 x 1080	33.8	30.0 ¹	74.3	-	-	-
2K/48p	2048 x 1080	54.0	48.0 ¹	148.5	-	-	-
2K/60p	2048 x 1080	67.5	60.0 ¹	148.5	-	-	-
2K/50p	2048 x 1080	56.3	50.0	148.5	-	-	-
3840 x 2160/24p	3840 x 2160	54.0	24.0 ¹	297.0	✓	✓	-
3840 x 2160/25p	3840 x 2160	56.3	25.0	297.0	✓	✓	-
3840 x 2160/30p	3840 x 2160	67.5	30.0 ¹	297.0	✓	✓	-
3840 x 2160/60p	3840 x 2160	135.0	60.0 ¹	594.0	✓	-	-
3840 x 2160/50p	3840 x 2160	112.5	50.0	594.0	✓	-	-
4096 x 2160/24p	4096 x 2160	54.0	24.0 ¹	297.0	✓	✓	-
4096 x 2160/25p	4096 x 2160	56.3	25.0	297.0	✓	✓	-
4096 x 2160/30p	4096 x 2160	67.5	30.0 ¹	297.0	✓	✓	-
4096 x 2160/60p	4096 x 2160	135.0	60.0 ¹	594.0	✓	-	-
4096 x 2160/50p	4096 x 2160	112.5	50.0	594.0	✓	-	-
640 x 480/60	640 x 480	31.5	59.9	25.2	✓	✓	✓
1024 x 768/50	1024 x 768	39.6	50.0	51.9	-	-	-
1024 x 768/60	1024 x 768	48.4	60.0	65.0	✓	✓	✓
1280 x 800/50	1280 x 800	41.3	50.0	68.0	-	-	-
1280 x 800/60	1280 x 800	49.7	59.8	83.5	-	-	-
1400 x 1050/50	1400 x 1050	54.1	50.0	99.9	-	-	-
1400 x 1050/60	1400 x 1050	65.2	60.0	122.6	✓	✓	✓
1600 x 900/50	1600 x 900	46.4	49.9	96.5	-	-	-
1600 x 900/60	1600 x 900	55.9	60.0	119.0	✓	✓	✓
1600 x 1200/50	1600 x 1200	61.8	49.9	131.5	-	-	-
1600 x 1200/60	1600 x 1200	75.0	60.0	162.0	✓	✓	✓
1920 x 1080/240	1920 x 1080 ²	291.6	240.0	583.2	✓	-	-
1920 x 1200/50	1920 x 1200	61.8	49.9	158.3	-	-	-
1920 x 1200/60RB	1920 x 1200 ³	74.0	60.0	154.0	✓	✓	✓
2560 x 1600/50	2560 x 1600	82.4	50.0	286.0	-	-	-
2560 x 1600/60	2560 x 1600 ³	98.7	60.0	268.5	✓	✓	-
3840 x 2400/30	3840 x 2400 ³	73.0	30.0	286.2	-	-	-
3840 x 2400/60	3840 x 2400 ³	148.1	60.0	592.5	-	-	-
3840 x 2400/50	3840 x 2400 ³	122.9	50.0	481.6	-	-	-

1 The signal with 1/1.001x vertical scanning frequency is also supported.

2 This is supported when the optional High Frame Rate Upgrade Kit (Model No. ET-SUK10) has been activated.

3 VESA CVT-RB (Reduced Blanking) compliant

Note

- If connecting the projector to a computer that uses an early-type chipset or graphics card compatible with DisplayPort, the projector or computer may not be operated properly when the signal output from DisplayPort on the computer is input to the projector. In such a case, switch off the projector or computer and then switch it on.

If the signal output from DisplayPort is input to the projector, use of the computer equipped with the latest chipset or graphics card is recommended.

List of Single link SDI compatible signals

The following table specifies the Single link SDI signals that the projector can project.

This is supported when the Interface Board for 12G-SDI input (Model No.: ET-MDN12G10) or i12G-SDI optical input (Model No.: ET-MDNFB10) is installed in the slot.

- The content of the 4K division column is as follows.

-IL: Interleave (transmission format of 2-Sample Interleave Division)

Signal name (SIGNAL FORMAT)	Resolution (Dots)	Scanning freq.		Dot clock freq. (MHz)	4K division	Format	Color format	Sampling
		H (kHz)	V (Hz)					
720/60p	1280 x 720	45.0	60.0 ¹	74.3	-	HD-SDI	YPbPr	4:2:2 10bit
720/50p	1280 x 720	37.5	50.0	74.3	-	HD-SDI	YPbPr	4:2:2 10bit
1080/60i	1920 x 1080i	33.8	60.0 ¹	74.3	-	HD-SDI	YPbPr	4:2:2 10bit
	1920 x 1080i	33.8	60.0 ¹	74.3	-	3G-SDI Level-A	RGB	4:4:4 10bit
	1920 x 1080i	33.8	60.0 ¹	74.3	-	3G-SDI Level-B	RGB	4:4:4 10bit
	1920 x 1080i	33.8	60.0 ¹	74.3	-	3G-SDI Level-A	RGB	4:4:4 12bit
	1920 x 1080i	33.8	60.0 ¹	74.3	-	3G-SDI Level-B	RGB	4:4:4 12bit
1080/50i	1920 x 1080i	28.1	50.0	74.3	-	HD-SDI	YPbPr	4:2:2 10bit
	1920 x 1080i	28.1	50.0	74.3	-	3G-SDI Level-A	RGB	4:4:4 10bit
	1920 x 1080i	28.1	50.0	74.3	-	3G-SDI Level-B	RGB	4:4:4 10bit
	1920 x 1080i	28.1	50.0	74.3	-	3G-SDI Level-A	RGB	4:4:4 12bit
	1920 x 1080i	28.1	50.0	74.3	-	3G-SDI Level-B	RGB	4:4:4 12bit
1080/24p	1920 x 1080	27.0	24.0 ¹	74.3	-	HD-SDI	YPbPr	4:2:2 10bit
	1920 x 1080	27.0	24.0 ¹	74.3	-	3G-SDI Level-A	RGB	4:4:4 10bit
	1920 x 1080	27.0	24.0 ¹	74.3	-	3G-SDI Level-B	RGB	4:4:4 10bit
	1920 x 1080	27.0	24.0 ¹	74.3	-	3G-SDI Level-A	RGB	4:4:4 12bit
	1920 x 1080	27.0	24.0 ¹	74.3	-	3G-SDI Level-B	RGB	4:4:4 12bit
1080/24sF	1920 x 1080i	27.0	48.0 ¹	74.3	-	HD-SDI	YPbPr	4:2:2 10bit
	1920 x 1080i	27.0	48.0 ¹	74.3	-	3G-SDI Level-A	RGB	4:4:4 10bit
	1920 x 1080i	27.0	48.0 ¹	74.3	-	3G-SDI Level-B	RGB	4:4:4 10bit
	1920 x 1080i	27.0	48.0 ¹	74.3	-	3G-SDI Level-A	RGB	4:4:4 12bit
	1920 x 1080i	27.0	48.0 ¹	74.3	-	3G-SDI Level-B	RGB	4:4:4 12bit
1080/25p	1920 x 1080	28.1	25.0	74.3	-	HD-SDI	YPbPr	4:2:2 10bit
	1920 x 1080	28.1	25.0	74.3	-	3G-SDI Level-A	RGB	4:4:4 10bit
	1920 x 1080	28.1	25.0	74.3	-	3G-SDI Level-B	RGB	4:4:4 10bit
	1920 x 1080	28.1	25.0	74.3	-	3G-SDI Level-A	RGB	4:4:4 12bit
	1920 x 1080	28.1	25.0	74.3	-	3G-SDI Level-B	RGB	4:4:4 12bit
1080/30p	1920 x 1080	33.8	30.0 ¹	74.3	-	HD-SDI	YPbPr	4:2:2 10bit
	1920 x 1080	33.8	30.0 ¹	74.3	-	3G-SDI Level-A	RGB	4:4:4 10bit
	1920 x 1080	33.8	30.0 ¹	74.3	-	3G-SDI Level-B	RGB	4:4:4 10bit
	1920 x 1080	33.8	30.0 ¹	74.3	-	3G-SDI Level-A	RGB	4:4:4 12bit
	1920 x 1080	33.8	30.0 ¹	74.3	-	3G-SDI Level-B	RGB	4:4:4 12bit
1080/60p	1920 x 1080	67.5	60.0 ¹	148.5	-	3G-SDI Level-A	YPbPr	4:2:2 10bit
	1920 x 1080	67.5	60.0 ¹	148.5	-	3G-SDI Level-B	YPbPr	4:2:2 10bit
	1920 x 1080 ²	67.5	60.0 ¹	148.5	-	6G-SDI Type 1	YPbPr	4:4:4 10bit
	1920 x 1080 ²	67.5	60.0 ¹	148.5	-	6G-SDI Type 1	YPbPr	4:4:4 12bit
	1920 x 1080 ²	67.5	60.0 ¹	148.5	-	6G-SDI Type 1	RGB	4:4:4 10bit
1080/50p	1920 x 1080	56.3	50.0	148.5	-	3G-SDI Level-A	YPbPr	4:2:2 10bit
	1920 x 1080	56.3	50.0	148.5	-	3G-SDI Level-B	YPbPr	4:2:2 10bit
	1920 x 1080 ²	56.3	50.0	148.5	-	6G-SDI Type 1	YPbPr	4:4:4 10bit
	1920 x 1080 ²	56.3	50.0	148.5	-	6G-SDI Type 1	YPbPr	4:4:4 12bit
	1920 x 1080 ²	56.3	50.0	148.5	-	6G-SDI Type 1	RGB	4:4:4 10bit
2K/24p	2048 x 1080	27.0	24.0 ¹	74.3	-	3G-SDI Level-A	RGB	4:4:4 10bit
	2048 x 1080	27.0	24.0 ¹	74.3	-	3G-SDI Level-B	RGB	4:4:4 10bit
	2048 x 1080	27.0	24.0 ¹	74.3	-	3G-SDI Level-A	RGB	4:4:4 12bit
	2048 x 1080	27.0	24.0 ¹	74.3	-	3G-SDI Level-B	RGB	4:4:4 12bit
	2048 x 1080	27.0	24.0 ¹	74.3	-	3G-SDI Level-A	RGB	4:4:4 12bit
2K/25p	2048 x 1080	28.1	25.0	74.3	-	3G-SDI Level-A	RGB	4:4:4 10bit
	2048 x 1080	28.1	25.0	74.3	-	3G-SDI Level-B	RGB	4:4:4 10bit
	2048 x 1080	28.1	25.0	74.3	-	3G-SDI Level-A	RGB	4:4:4 12bit
	2048 x 1080	28.1	25.0	74.3	-	3G-SDI Level-B	RGB	4:4:4 12bit
2K/30p	2048 x 1080	33.8	30.0 ¹	74.3	-	3G-SDI Level-A	RGB	4:4:4 10bit
	2048 x 1080	33.8	30.0 ¹	74.3	-	3G-SDI Level-B	RGB	4:4:4 10bit
	2048 x 1080	33.8	30.0 ¹	74.3	-	3G-SDI Level-A	RGB	4:4:4 12bit
	2048 x 1080	33.8	30.0 ¹	74.3	-	3G-SDI Level-B	RGB	4:4:4 12bit

Signal name (SIGNAL FORMAT)	Resolution (Dots)	Scanning freq.		Dot clock freq. (MHz)	4K division	Format	Color format	Sampling
		H (kHz)	V (Hz)					
2K/48p	2048 x 1080	54.0	48.0 ¹	148.5	-	3G-SDI Level-A	YPbPr	4:2:2 10bit
	2048 x 1080	54.0	48.0 ¹	148.5	-	3G-SDI Level-B	YPbPr	4:2:2 10bit
2K/60p	2048 x 1080	67.5	60.0 ¹	148.5	-	3G-SDI Level-A	YPbPr	4:2:2 10bit
	2048 x 1080	67.5	60.0 ¹	148.5	-	3G-SDI Level-B	YPbPr	4:2:2 10bit
	2048 x 1080 ²	67.5	60.0 ¹	148.5	-	6G-SDI Type 1	YPbPr	4:4:4 10bit
	2048 x 1080 ²	67.5	60.0 ¹	148.5	-	6G-SDI Type 1	YPbPr	4:4:4 12bit
	2048 x 1080 ²	67.5	60.0 ¹	148.5	-	6G-SDI Type 1	RGB	4:4:4 10bit
	2048 x 1080 ²	67.5	60.0 ¹	148.5	-	6G-SDI Type 1	RGB	4:4:4 12bit
2K/50p	2048 x 1080	56.3	50.0	148.5	-	3G-SDI Level-A	YPbPr	4:2:2 10bit
	2048 x 1080	56.3	50.0	148.5	-	3G-SDI Level-B	YPbPr	4:2:2 10bit
	2048 x 1080 ²	56.3	50.0	148.5	-	6G-SDI Type 1	YPbPr	4:4:4 10bit
	2048 x 1080 ²	56.3	50.0	148.5	-	6G-SDI Type 1	YPbPr	4:4:4 12bit
	2048 x 1080 ²	56.3	50.0	148.5	-	6G-SDI Type 1	RGB	4:4:4 10bit
	2048 x 1080 ²	56.3	50.0	148.5	-	6G-SDI Type 1	RGB	4:4:4 12bit
3840 x 2160/24p	3840 x 2160 ²	54.0	24.0 ¹	297.0	IL	6G-SDI Type 2	YPbPr	4:2:2 10bit
	3840 x 2160 ²	54.0	24.0 ¹	297.0	IL	12G-SDI Type 1	YPbPr	4:2:2 12bit
	3840 x 2160 ²	54.0	24.0 ¹	297.0	IL	12G-SDI Type 1	YPbPr	4:4:4 10bit
	3840 x 2160 ²	54.0	24.0 ¹	297.0	IL	12G-SDI Type 1	YPbPr	4:4:4 12bit
	3840 x 2160 ²	54.0	24.0 ¹	297.0	IL	12G-SDI Type 1	RGB	4:4:4 10bit
	3840 x 2160 ²	54.0	24.0 ¹	297.0	IL	12G-SDI Type 1	RGB	4:4:4 12bit
3840 x 2160/25p	3840 x 2160 ²	56.3	25.0	297.0	IL	6G-SDI Type 2	YPbPr	4:2:2 10bit
	3840 x 2160 ²	56.3	25.0	297.0	IL	12G-SDI Type 1	YPbPr	4:2:2 12bit
	3840 x 2160 ²	56.3	25.0	297.0	IL	12G-SDI Type 1	YPbPr	4:4:4 10bit
	3840 x 2160 ²	56.3	25.0	297.0	IL	12G-SDI Type 1	YPbPr	4:4:4 12bit
	3840 x 2160 ²	56.3	25.0	297.0	IL	12G-SDI Type 1	RGB	4:4:4 10bit
	3840 x 2160 ²	56.3	25.0	297.0	IL	12G-SDI Type 1	RGB	4:4:4 12bit
3840 x 2160/30p	3840 x 2160 ²	67.5	30.0 ¹	297.0	IL	6G-SDI Type 2	YPbPr	4:2:2 10bit
	3840 x 2160 ²	67.5	30.0 ¹	297.0	IL	12G-SDI Type 1	YPbPr	4:2:2 12bit
	3840 x 2160 ²	67.5	30.0 ¹	297.0	IL	12G-SDI Type 1	YPbPr	4:4:4 10bit
	3840 x 2160 ²	67.5	30.0 ¹	297.0	IL	12G-SDI Type 1	YPbPr	4:4:4 12bit
	3840 x 2160 ²	67.5	30.0 ¹	297.0	IL	12G-SDI Type 1	RGB	4:4:4 10bit
	3840 x 2160 ²	67.5	30.0 ¹	297.0	IL	12G-SDI Type 1	RGB	4:4:4 12bit
3840 x 2160/60p	3840 x 2160 ²	135.0	60.0 ¹	594.0	IL	12G-SDI Type 1	YPbPr	4:2:2 10bit
3840 x 2160/50p	3840 x 2160 ²	112.5	50.0	594.0	IL	12G-SDI Type 1	YPbPr	4:2:2 10bit
4096 x 2160/24p	4096 x 2160 ²	54.0	24.0 ¹	297.0	IL	6G-SDI Type 2	YPbPr	4:2:2 10bit
	4096 x 2160 ²	54.0	24.0 ¹	297.0	IL	12G-SDI Type 1	YPbPr	4:2:2 12bit
	4096 x 2160 ²	54.0	24.0 ¹	297.0	IL	12G-SDI Type 1	YPbPr	4:4:4 10bit
	4096 x 2160 ²	54.0	24.0 ¹	297.0	IL	12G-SDI Type 1	YPbPr	4:4:4 12bit
	4096 x 2160 ²	54.0	24.0 ¹	297.0	IL	12G-SDI Type 1	RGB	4:4:4 10bit
	4096 x 2160 ²	54.0	24.0 ¹	297.0	IL	12G-SDI Type 1	RGB	4:4:4 12bit
4096 x 2160/25p	4096 x 2160 ²	56.3	25.0	297.0	IL	6G-SDI Type 2	YPbPr	4:2:2 10bit
	4096 x 2160 ²	56.3	25.0	297.0	IL	12G-SDI Type 1	YPbPr	4:2:2 12bit
	4096 x 2160 ²	56.3	25.0	297.0	IL	12G-SDI Type 1	YPbPr	4:4:4 10bit
	4096 x 2160 ²	56.3	25.0	297.0	IL	12G-SDI Type 1	YPbPr	4:4:4 12bit
	4096 x 2160 ²	56.3	25.0	297.0	IL	12G-SDI Type 1	RGB	4:4:4 10bit
	4096 x 2160 ²	56.3	25.0	297.0	IL	12G-SDI Type 1	RGB	4:4:4 12bit
4096 x 2160/30p	4096 x 2160 ²	67.5	30.0 ¹	297.0	IL	6G-SDI Type 2	YPbPr	4:2:2 10bit
	4096 x 2160 ²	67.5	30.0 ¹	297.0	IL	12G-SDI Type 1	YPbPr	4:2:2 12bit
	4096 x 2160 ²	67.5	30.0 ¹	297.0	IL	12G-SDI Type 1	YPbPr	4:4:4 10bit
	4096 x 2160 ²	67.5	30.0 ¹	297.0	IL	12G-SDI Type 1	YPbPr	4:4:4 12bit
	4096 x 2160 ²	67.5	30.0 ¹	297.0	IL	12G-SDI Type 1	RGB	4:4:4 10bit
	4096 x 2160 ²	67.5	30.0 ¹	297.0	IL	12G-SDI Type 1	RGB	4:4:4 12bit
4096 x 2160/60p	4096 x 2160 ²	135.0	60.0 ¹	594.0	IL	12G-SDI Type 1	YPbPr	4:2:2 10bit
4096 x 2160/50p	4096 x 2160 ²	112.5	50.0	594.0	IL	12G-SDI Type 1	YPbPr	4:2:2 10bit

1 The signal with 1/1.001x vertical scanning frequency is also supported.

2 Only the combination of the <SDI 1 IN> terminal and the <SDI 3 IN> terminal of the optional interface Board for 12G-SDI (Model No.:ET-MDN12G10) is supported.

List of Dual link SDI compatible signals

The following table specifies the dual signal SDI signals that the projector can project.

This is supported when the Interface Board for 12G-SDI (Model No.: ET-MDN12G10) is installed in the slot.

- The content of the 4K division column is as follows.

-SQ: Square (transmission format of Square Division)

-IL: Interleave (transmission format of 2-Sample Interleave Division)

Signal name (SIGNAL FORMAT)	Resolution (Dots)	Scanning freq.		Dot clock freq. (MHz)	4K division	Format	Color format	Sampling
		H (kHz)	V (Hz)					
1080/60p	1920 x 1080	67.5	60.0 ¹	148.5	-	HD-SDI	YP _B PR	4:2:2 10bit
	1920 x 1080	67.5	60.0 ¹	148.5	-	3G-SDI Level-A	YP _B PR	4:4:4 10bit
	1920 x 1080	67.5	60.0 ¹	148.5	-	3G-SDI Level-B	YP _B PR	4:4:4 10bit
	1920 x 1080	67.5	60.0 ¹	148.5	-	3G-SDI Level-A	YP _B PR	4:4:4 12bit
	1920 x 1080	67.5	60.0 ¹	148.5	-	3G-SDI Level-B	YP _B PR	4:4:4 12bit
	1920 x 1080	67.5	60.0 ¹	148.5	-	3G-SDI Level-A	RGB	4:4:4 10bit
	1920 x 1080	67.5	60.0 ¹	148.5	-	3G-SDI Level-B	RGB	4:4:4 10bit
	1920 x 1080	67.5	60.0 ¹	148.5	-	3G-SDI Level-A	RGB	4:4:4 12bit
1080/50p	1920 x 1080	56.3	50.0	148.5	-	HD-SDI	YP _B PR	4:2:2 10bit
	1920 x 1080	56.3	50.0	148.5	-	3G-SDI Level-A	YP _B PR	4:4:4 10bit
	1920 x 1080	56.3	50.0	148.5	-	3G-SDI Level-B	YP _B PR	4:4:4 10bit
	1920 x 1080	56.3	50.0	148.5	-	3G-SDI Level-A	YP _B PR	4:4:4 12bit
	1920 x 1080	56.3	50.0	148.5	-	3G-SDI Level-B	YP _B PR	4:4:4 12bit
	1920 x 1080	56.3	50.0	148.5	-	3G-SDI Level-A	RGB	4:4:4 10bit
	1920 x 1080	56.3	50.0	148.5	-	3G-SDI Level-B	RGB	4:4:4 10bit
	1920 x 1080	56.3	50.0	148.5	-	3G-SDI Level-A	RGB	4:4:4 12bit
2K/48p	2048 x 1080	54.0	48.0 ¹	148.5	-	3G-SDI Level-A	YP _B PR	4:4:4 10bit
	2048 x 1080	54.0	48.0 ¹	148.5	-	3G-SDI Level-B	YP _B PR	4:4:4 10bit
	2048 x 1080	54.0	48.0 ¹	148.5	-	3G-SDI Level-A	YP _B PR	4:4:4 12bit
	2048 x 1080	54.0	48.0 ¹	148.5	-	3G-SDI Level-B	YP _B PR	4:4:4 12bit
	2048 x 1080	54.0	48.0 ¹	148.5	-	3G-SDI Level-A	RGB	4:4:4 10bit
	2048 x 1080	54.0	48.0 ¹	148.5	-	3G-SDI Level-B	RGB	4:4:4 10bit
	2048 x 1080	54.0	48.0 ¹	148.5	-	3G-SDI Level-A	RGB	4:4:4 12bit
	2048 x 1080	54.0	48.0 ¹	148.5	-	3G-SDI Level-B	RGB	4:4:4 12bit
2K/50p	2048 x 1080	56.3	50.0	148.5	-	3G-SDI Level-A	YP _B PR	4:4:4 10bit
	2048 x 1080	56.3	50.0	148.5	-	3G-SDI Level-B	YP _B PR	4:4:4 10bit
	2048 x 1080	56.3	50.0	148.5	-	3G-SDI Level-A	YP _B PR	4:4:4 12bit
	2048 x 1080	56.3	50.0	148.5	-	3G-SDI Level-B	YP _B PR	4:4:4 12bit
	2048 x 1080	56.3	50.0	148.5	-	3G-SDI Level-A	RGB	4:4:4 10bit
	2048 x 1080	56.3	50.0	148.5	-	3G-SDI Level-B	RGB	4:4:4 10bit
	2048 x 1080	56.3	50.0	148.5	-	3G-SDI Level-A	RGB	4:4:4 12bit
	2048 x 1080	56.3	50.0	148.5	-	3G-SDI Level-B	RGB	4:4:4 12bit
2K/60p	2048 x 1080	67.5	60.0 ¹	148.5	-	3G-SDI Level-A	YP _B PR	4:4:4 10bit
	2048 x 1080	67.5	60.0 ¹	148.5	-	3G-SDI Level-B	YP _B PR	4:4:4 10bit
	2048 x 1080	67.5	60.0 ¹	148.5	-	3G-SDI Level-A	YP _B PR	4:4:4 12bit
	2048 x 1080	67.5	60.0 ¹	148.5	-	3G-SDI Level-B	YP _B PR	4:4:4 12bit
	2048 x 1080	67.5	60.0 ¹	148.5	-	3G-SDI Level-A	RGB	4:4:4 10bit
	2048 x 1080	67.5	60.0 ¹	148.5	-	3G-SDI Level-B	RGB	4:4:4 10bit
	2048 x 1080	67.5	60.0 ¹	148.5	-	3G-SDI Level-A	RGB	4:4:4 12bit
	2048 x 1080	67.5	60.0 ¹	148.5	-	3G-SDI Level-B	RGB	4:4:4 12bit
3840 x 2160/24p	3840 x 2160	54.0	24.0 ¹	297.0	SQ	3G-SDI Level-B Dual Stream	YP _B PR	4:2:2 10bit
	3840 x 2160	54.0	24.0 ¹	297.0	IL	3G-SDI Level-B Dual Stream	YP _B PR	4:2:2 10bit
	3840 x 2160 ²	54.0	24.0 ¹	297.0	IL	6G-SDI Type 1	YP _B PR	4:2:2 12bit
	3840 x 2160 ²	54.0	24.0 ¹	297.0	IL	6G-SDI Type 1	YP _B PR	4:4:4 10bit
	3840 x 2160 ²	54.0	24.0 ¹	297.0	IL	6G-SDI Type 1	YP _B PR	4:4:4 12bit
	3840 x 2160 ²	54.0	24.0 ¹	297.0	IL	6G-SDI Type 1	RGB	4:4:4 10bit
	3840 x 2160 ²	54.0	24.0 ¹	297.0	IL	6G-SDI Type 1	RGB	4:4:4 12bit

Signal name (SIGNAL FORMAT)	Resolution (Dots)	Scanning freq.		Dot clock freq. (MHz)	4K division	Format	Color format	Sampling
		H (kHz)	V (Hz)					
3840 x 2160/25p	3840 x 2160	56.3	25.0	297.0	SQ	3G-SDI Level-B Dual Stream	YPbPr	4:2:2 10bit
	3840 x 2160	56.3	25.0	297.0	IL	3G-SDI Level-B Dual Stream	YPbPr	4:2:2 10bit
	3840 x 2160 ²	56.3	25.0	297.0	IL	6G-SDI Type 1	YPbPr	4:2:2 12bit
	3840 x 2160 ²	56.3	25.0	297.0	IL	6G-SDI Type 1	YPbPr	4:4:4 10bit
	3840 x 2160 ²	56.3	25.0	297.0	IL	6G-SDI Type 1	YPbPr	4:4:4 12bit
	3840 x 2160 ²	56.3	25.0	297.0	IL	6G-SDI Type 1	RGB	4:4:4 10bit
	3840 x 2160 ²	56.3	25.0	297.0	IL	6G-SDI Type 1	RGB	4:4:4 12bit
3840 x 2160/30p	3840 x 2160	56.3	30.0 ¹	297.0	SQ	3G-SDI Level-B Dual Stream	YPbPr	4:2:2 10bit
	3840 x 2160	56.3	30.0 ¹	297.0	IL	3G-SDI Level-B Dual Stream	YPbPr	4:2:2 10bit
	3840 x 2160 ²	56.3	30.0 ¹	297.0	IL	6G-SDI Type 1	YPbPr	4:2:2 12bit
	3840 x 2160 ²	56.3	30.0 ¹	297.0	IL	6G-SDI Type 1	YPbPr	4:4:4 10bit
	3840 x 2160 ²	56.3	30.0 ¹	297.0	IL	6G-SDI Type 1	YPbPr	4:4:4 12bit
	3840 x 2160 ²	56.3	30.0 ¹	297.0	IL	6G-SDI Type 1	RGB	4:4:4 10bit
	3840 x 2160 ²	56.3	30.0 ¹	297.0	IL	6G-SDI Type 1	RGB	4:4:4 12bit
3840 x 2160/60p	3840 x 2160 ²	135.0	60.0 ¹	594.0	IL	6G-SDI Type 1	YPbPr	4:2:2 10bit
3840 x 2160/50p	3840 x 2160 ²	112.5	50.0	594.0	IL	6G-SDI Type 1	YPbPr	4:2:2 10bit
4096 x 2160/24p	4096 x 2160	54.0	24.0 ¹	297.0	SQ	3G-SDI Level-B Dual Stream	YPbPr	4:2:2 10bit
	4096 x 2160	54.0	24.0 ¹	297.0	IL	3G-SDI Level-B Dual Stream	YPbPr	4:2:2 10bit
	4096 x 2160 ²	54.0	24.0 ¹	297.0	IL	6G-SDI Type 1	YPbPr	4:2:2 12bit
	4096 x 2160 ²	54.0	24.0 ¹	297.0	IL	6G-SDI Type 1	YPbPr	4:4:4 10bit
	4096 x 2160 ²	54.0	24.0 ¹	297.0	IL	6G-SDI Type 1	YPbPr	4:4:4 12bit
	4096 x 2160 ²	54.0	24.0 ¹	297.0	IL	6G-SDI Type 1	RGB	4:4:4 10bit
	4096 x 2160 ²	54.0	24.0 ¹	297.0	IL	6G-SDI Type 1	RGB	4:4:4 12bit
4096 x 2160/25p	4096 x 2160	56.3	25.0	297.0	SQ	3G-SDI Level-B Dual Stream	YPbPr	4:2:2 10bit
	4096 x 2160	56.3	25.0	297.0	IL	3G-SDI Level-B Dual Stream	YPbPr	4:2:2 10bit
	4096 x 2160 ²	56.3	25.0	297.0	IL	6G-SDI Type 1	YPbPr	4:2:2 12bit
	4096 x 2160 ²	56.3	25.0	297.0	IL	6G-SDI Type 1	YPbPr	4:4:4 10bit
	4096 x 2160 ²	56.3	25.0	297.0	IL	6G-SDI Type 1	YPbPr	4:4:4 12bit
	4096 x 2160 ²	56.3	25.0	297.0	IL	6G-SDI Type 1	RGB	4:4:4 10bit
	4096 x 2160 ²	56.3	25.0	297.0	IL	6G-SDI Type 1	RGB	4:4:4 12bit
4096 x 2160/30p	4096 x 2160	67.5	30.0 ¹	297.0	SQ	3G-SDI Level-B Dual Stream	YPbPr	4:2:2 10bit
	4096 x 2160	67.5	30.0 ¹	297.0	IL	3G-SDI Level-B Dual Stream	YPbPr	4:2:2 10bit
	4096 x 2160 ²	67.5	30.0 ¹	297.0	IL	6G-SDI Type 1	YPbPr	4:2:2 12bit
	4096 x 2160 ²	67.5	30.0 ¹	297.0	IL	6G-SDI Type 1	YPbPr	4:4:4 10bit
	4096 x 2160 ²	67.5	30.0 ¹	297.0	IL	6G-SDI Type 1	YPbPr	4:4:4 12bit
	4096 x 2160 ²	67.5	30.0 ¹	297.0	IL	6G-SDI Type 1	RGB	4:4:4 10bit
	4096 x 2160 ²	67.5	30.0 ¹	297.0	IL	6G-SDI Type 1	RGB	4:4:4 12bit
4096 x 2160/60p	4096 x 2160 ²	135.0	30.0 ¹	594.0	IL	6G-SDI Type 1	YPbPr	4:2:2 10bit
4096 x 2160/50p	4096 x 2160 ²	112.5	50.0	594.0	IL	6G-SDI Type 1	YPbPr	4:2:2 10bit

1 The signal with 1/1.001x vertical scanning frequency is also supported.

2 Only the combination of the <SDI 1 IN> terminal and the <SDI 3 IN> terminal of the optional interface Board for 12G-SDI (Model No.:ET-MDN12G10) is supported.

List of Quad link SDI compatible signals

The following table specifies the quad link SDI signals that the projector can project.

This is supported when the Interface Board for 12G-SDI (Model No.: ET-MDN12G10) is installed in the slot.

- The content of the 4K division column is as follows.

-SQ: Square (transmission format of Square Division)

-IL: Interleave (transmission format of 2-Sample Interleave Division)

Signal name (SIGNAL FORMAT)	Resolution (Dots)	Scanning freq.		Dot clock freq. (MHz)	4K division	Format	Color format	Sampling
		H (kHz)	V (Hz)					
3840 x 2160/24p	3840 x 2160	54.0	24.0 ¹	297.0	SQ	HD-SDI	YP _B P _R	4:2:2 10bit
	3840 x 2160	54.0	24.0 ¹	297.0	SQ	3G-SDI Level-A	YP _B P _R	4:2:2 12bit
	3840 x 2160	54.0	24.0 ¹	297.0	IL	3G-SDI Level-A	YP _B P _R	4:2:2 12bit
	3840 x 2160	54.0	24.0 ¹	297.0	SQ	3G-SDI Level-B	YP _B P _R	4:2:2 12bit
	3840 x 2160	54.0	24.0 ¹	297.0	IL	3G-SDI Level-B	YP _B P _R	4:2:2 12bit
	3840 x 2160	54.0	24.0 ¹	297.0	SQ	3G-SDI Level-A	YP _B P _R	4:4:4 10bit
	3840 x 2160	54.0	24.0 ¹	297.0	IL	3G-SDI Level-A	YP _B P _R	4:4:4 10bit
	3840 x 2160	54.0	24.0 ¹	297.0	SQ	3G-SDI Level-B	YP _B P _R	4:4:4 10bit
	3840 x 2160	54.0	24.0 ¹	297.0	IL	3G-SDI Level-B	YP _B P _R	4:4:4 10bit
	3840 x 2160	54.0	24.0 ¹	297.0	SQ	3G-SDI Level-A	YP _B P _R	4:4:4 12bit
	3840 x 2160	54.0	24.0 ¹	297.0	IL	3G-SDI Level-A	YP _B P _R	4:4:4 12bit
	3840 x 2160	54.0	24.0 ¹	297.0	SQ	3G-SDI Level-B	YP _B P _R	4:4:4 12bit
	3840 x 2160	54.0	24.0 ¹	297.0	IL	3G-SDI Level-B	YP _B P _R	4:4:4 12bit
	3840 x 2160	54.0	24.0 ¹	297.0	SQ	3G-SDI Level-A	RGB	4:4:4 10bit
	3840 x 2160	54.0	24.0 ¹	297.0	IL	3G-SDI Level-A	RGB	4:4:4 10bit
	3840 x 2160	54.0	24.0 ¹	297.0	SQ	3G-SDI Level-B	RGB	4:4:4 10bit
	3840 x 2160	54.0	24.0 ¹	297.0	IL	3G-SDI Level-B	RGB	4:4:4 10bit
	3840 x 2160/25p	3840 x 2160	56.3	25.0	297.0	SQ	HD-SDI	YP _B P _R
3840 x 2160		56.3	25.0	297.0	SQ	3G-SDI Level-A	YP _B P _R	4:2:2 12bit
3840 x 2160		56.3	25.0	297.0	IL	3G-SDI Level-A	YP _B P _R	4:2:2 12bit
3840 x 2160		56.3	25.0	297.0	SQ	3G-SDI Level-B	YP _B P _R	4:2:2 12bit
3840 x 2160		56.3	25.0	297.0	IL	3G-SDI Level-B	YP _B P _R	4:2:2 12bit
3840 x 2160		56.3	25.0	297.0	SQ	3G-SDI Level-A	YP _B P _R	4:4:4 10bit
3840 x 2160		56.3	25.0	297.0	IL	3G-SDI Level-A	YP _B P _R	4:4:4 10bit
3840 x 2160		56.3	25.0	297.0	SQ	3G-SDI Level-B	YP _B P _R	4:4:4 10bit
3840 x 2160		56.3	25.0	297.0	IL	3G-SDI Level-B	YP _B P _R	4:4:4 10bit
3840 x 2160		56.3	25.0	297.0	SQ	3G-SDI Level-A	YP _B P _R	4:4:4 12bit
3840 x 2160		56.3	25.0	297.0	IL	3G-SDI Level-A	YP _B P _R	4:4:4 12bit
3840 x 2160		56.3	25.0	297.0	SQ	3G-SDI Level-B	YP _B P _R	4:4:4 12bit
3840 x 2160		56.3	25.0	297.0	IL	3G-SDI Level-B	YP _B P _R	4:4:4 12bit
3840 x 2160		56.3	25.0	297.0	SQ	3G-SDI Level-A	RGB	4:4:4 10bit
3840 x 2160		56.3	25.0	297.0	IL	3G-SDI Level-A	RGB	4:4:4 10bit
3840 x 2160		56.3	25.0	297.0	SQ	3G-SDI Level-B	RGB	4:4:4 10bit
3840 x 2160		56.3	25.0	297.0	IL	3G-SDI Level-B	RGB	4:4:4 10bit
3840 x 2160/30p		3840 x 2160	67.5	30.0 ¹	297.0	SQ	HD-SDI	YP _B P _R
	3840 x 2160	67.5	30.0 ¹	297.0	SQ	3G-SDI Level-A	YP _B P _R	4:2:2 12bit
	3840 x 2160	67.5	30.0 ¹	297.0	IL	3G-SDI Level-A	YP _B P _R	4:2:2 12bit
	3840 x 2160	67.5	30.0 ¹	297.0	SQ	3G-SDI Level-B	YP _B P _R	4:2:2 12bit
	3840 x 2160	67.5	30.0 ¹	297.0	IL	3G-SDI Level-B	YP _B P _R	4:2:2 12bit
	3840 x 2160	67.5	30.0 ¹	297.0	SQ	3G-SDI Level-A	YP _B P _R	4:4:4 10bit
	3840 x 2160	67.5	30.0 ¹	297.0	IL	3G-SDI Level-A	YP _B P _R	4:4:4 10bit
	3840 x 2160	67.5	30.0 ¹	297.0	SQ	3G-SDI Level-B	YP _B P _R	4:4:4 10bit
	3840 x 2160	67.5	30.0 ¹	297.0	IL	3G-SDI Level-B	YP _B P _R	4:4:4 10bit
	3840 x 2160	67.5	30.0 ¹	297.0	SQ	3G-SDI Level-A	YP _B P _R	4:4:4 12bit
	3840 x 2160	67.5	30.0 ¹	297.0	IL	3G-SDI Level-A	YP _B P _R	4:4:4 12bit
	3840 x 2160	67.5	30.0 ¹	297.0	SQ	3G-SDI Level-B	YP _B P _R	4:4:4 12bit
	3840 x 2160	67.5	30.0 ¹	297.0	IL	3G-SDI Level-B	YP _B P _R	4:4:4 12bit
	3840 x 2160	67.5	30.0 ¹	297.0	SQ	3G-SDI Level-A	RGB	4:4:4 10bit

Signal name (SIGNAL FORMAT)	Resolution (Dots)	Scanning freq.		Dot clock freq. (MHz)	4K division	Format	Color format	Sampling
		H (kHz)	V (Hz)					
3840 x 2160/30p	3840 x 2160	67.5	30.0 ¹	297.0	IL	3G-SDI Level-A	RGB	4:4:4 10bit
	3840 x 2160	67.5	30.0 ¹	297.0	SQ	3G-SDI Level-B	RGB	4:4:4 10bit
	3840 x 2160	67.5	30.0 ¹	297.0	IL	3G-SDI Level-B	RGB	4:4:4 10bit
	3840 x 2160	67.5	30.0 ¹	297.0	SQ	3G-SDI Level-A	RGB	4:4:4 12bit
	3840 x 2160	67.5	30.0 ¹	297.0	IL	3G-SDI Level-A	RGB	4:4:4 12bit
	3840 x 2160	67.5	30.0 ¹	297.0	SQ	3G-SDI Level-B	RGB	4:4:4 12bit
3840 x 2160/60p	3840 x 2160	135.0	60.0 ¹	594.0	SQ	3G-SDI Level-A	YP _B P _R	4:2:2 10bit
	3840 x 2160	135.0	60.0 ¹	594.0	IL	3G-SDI Level-A	YP _B P _R	4:2:2 10bit
	3840 x 2160	135.0	60.0 ¹	594.0	SQ	3G-SDI Level-B	YP _B P _R	4:2:2 10bit
	3840 x 2160	135.0	60.0 ¹	594.0	IL	3G-SDI Level-B	YP _B P _R	4:2:2 10bit
3840 x 2160/50p	3840 x 2160	112.5	50.0	594.0	SQ	3G-SDI Level-A	YP _B P _R	4:2:2 10bit
	3840 x 2160	112.5	50.0	594.0	IL	3G-SDI Level-A	YP _B P _R	4:2:2 10bit
	3840 x 2160	112.5	50.0	594.0	SQ	3G-SDI Level-B	YP _B P _R	4:2:2 10bit
	3840 x 2160	112.5	50.0	594.0	IL	3G-SDI Level-B	YP _B P _R	4:2:2 10bit
4096 x 2160/24p	4096 x 2160	54.0	24.0 ¹	297.0	SQ	HD-SDI	YP _B P _R	4:2:2 10bit
	4096 x 2160	54.0	24.0 ¹	297.0	SQ	3G-SDI Level-A	YP _B P _R	4:2:2 12bit
	4096 x 2160	54.0	24.0 ¹	297.0	IL	3G-SDI Level-A	YP _B P _R	4:2:2 12bit
	4096 x 2160	54.0	24.0 ¹	297.0	SQ	3G-SDI Level-B	YP _B P _R	4:2:2 12bit
	4096 x 2160	54.0	24.0 ¹	297.0	IL	3G-SDI Level-B	YP _B P _R	4:2:2 12bit
	4096 x 2160	54.0	24.0 ¹	297.0	SQ	3G-SDI Level-A	YP _B P _R	4:4:4 10bit
	4096 x 2160	54.0	24.0 ¹	297.0	IL	3G-SDI Level-A	YP _B P _R	4:4:4 10bit
	4096 x 2160	54.0	24.0 ¹	297.0	SQ	3G-SDI Level-B	YP _B P _R	4:4:4 10bit
	4096 x 2160	54.0	24.0 ¹	297.0	IL	3G-SDI Level-B	YP _B P _R	4:4:4 10bit
	4096 x 2160	54.0	24.0 ¹	297.0	SQ	3G-SDI Level-A	YP _B P _R	4:4:4 12bit
	4096 x 2160	54.0	24.0 ¹	297.0	IL	3G-SDI Level-A	YP _B P _R	4:4:4 12bit
	4096 x 2160	54.0	24.0 ¹	297.0	SQ	3G-SDI Level-B	YP _B P _R	4:4:4 12bit
	4096 x 2160	54.0	24.0 ¹	297.0	IL	3G-SDI Level-B	YP _B P _R	4:4:4 12bit
	4096 x 2160	54.0	24.0 ¹	297.0	SQ	3G-SDI Level-A	RGB	4:4:4 10bit
	4096 x 2160	54.0	24.0 ¹	297.0	IL	3G-SDI Level-A	RGB	4:4:4 10bit
	4096 x 2160	54.0	24.0 ¹	297.0	SQ	3G-SDI Level-B	RGB	4:4:4 10bit
	4096 x 2160	54.0	24.0 ¹	297.0	IL	3G-SDI Level-B	RGB	4:4:4 10bit
	4096 x 2160	54.0	24.0 ¹	297.0	SQ	3G-SDI Level-A	RGB	4:4:4 12bit
	4096 x 2160	54.0	24.0 ¹	297.0	IL	3G-SDI Level-A	RGB	4:4:4 12bit
	4096 x 2160/25p	4096 x 2160	56.3	25.0	297.0	SQ	HD-SDI	YP _B P _R
4096 x 2160		56.3	25.0	297.0	SQ	3G-SDI Level-A	YP _B P _R	4:2:2 12bit
4096 x 2160		56.3	25.0	297.0	IL	3G-SDI Level-A	YP _B P _R	4:2:2 12bit
4096 x 2160		56.3	25.0	297.0	SQ	3G-SDI Level-B	YP _B P _R	4:2:2 12bit
4096 x 2160		56.3	25.0	297.0	IL	3G-SDI Level-B	YP _B P _R	4:2:2 12bit
4096 x 2160		56.3	25.0	297.0	SQ	3G-SDI Level-A	YP _B P _R	4:4:4 10bit
4096 x 2160		56.3	25.0	297.0	IL	3G-SDI Level-A	YP _B P _R	4:4:4 10bit
4096 x 2160		56.3	25.0	297.0	SQ	3G-SDI Level-B	YP _B P _R	4:4:4 10bit
4096 x 2160		56.3	25.0	297.0	IL	3G-SDI Level-B	YP _B P _R	4:4:4 10bit
4096 x 2160		56.3	25.0	297.0	SQ	3G-SDI Level-A	YP _B P _R	4:4:4 12bit
4096 x 2160		56.3	25.0	297.0	IL	3G-SDI Level-A	YP _B P _R	4:4:4 12bit
4096 x 2160		56.3	25.0	297.0	SQ	3G-SDI Level-B	YP _B P _R	4:4:4 12bit
4096 x 2160		56.3	25.0	297.0	IL	3G-SDI Level-B	YP _B P _R	4:4:4 12bit
4096 x 2160		56.3	25.0	297.0	SQ	3G-SDI Level-A	RGB	4:4:4 10bit
4096 x 2160		56.3	25.0	297.0	IL	3G-SDI Level-A	RGB	4:4:4 10bit
4096 x 2160		56.3	25.0	297.0	SQ	3G-SDI Level-B	RGB	4:4:4 10bit
4096 x 2160		56.3	25.0	297.0	IL	3G-SDI Level-B	RGB	4:4:4 10bit
4096 x 2160		56.3	25.0	297.0	SQ	3G-SDI Level-A	RGB	4:4:4 12bit
4096 x 2160		56.3	25.0	297.0	IL	3G-SDI Level-A	RGB	4:4:4 12bit
4096 x 2160/30p		4096 x 2160	67.5	30.0 ¹	297.0	SQ	HD-SDI	YP _B P _R
	4096 x 2160	67.5	30.0 ¹	297.0	SQ	3G-SDI Level-A	YP _B P _R	4:2:2 12bit
	4096 x 2160	67.5	30.0 ¹	297.0	IL	3G-SDI Level-A	YP _B P _R	4:2:2 12bit
	4096 x 2160	67.5	30.0 ¹	297.0	SQ	3G-SDI Level-B	YP _B P _R	4:2:2 12bit
	4096 x 2160	67.5	30.0 ¹	297.0	IL	3G-SDI Level-B	YP _B P _R	4:2:2 12bit
	4096 x 2160	67.5	30.0 ¹	297.0	SQ	3G-SDI Level-A	YP _B P _R	4:4:4 10bit

Signal name (SIGNAL FORMAT)	Resolution (Dots)	Scanning freq.		Dot clock freq. (MHz)	4K division	Format	Color format	Sampling
		H (kHz)	V (Hz)					
4096 x 2160/30p	4096 x 2160	67.5	30.0 ¹	297.0	IL	3G-SDI Level-A	YPbPr	4:4:4 10bit
	4096 x 2160	67.5	30.0 ¹	297.0	SQ	3G-SDI Level-B	YPbPr	4:4:4 10bit
	4096 x 2160	67.5	30.0 ¹	297.0	IL	3G-SDI Level-B	YPbPr	4:4:4 10bit
	4096 x 2160	67.5	30.0 ¹	297.0	SQ	3G-SDI Level-A	YPbPr	4:4:4 12bit
	4096 x 2160	67.5	30.0 ¹	297.0	IL	3G-SDI Level-A	YPbPr	4:4:4 12bit
	4096 x 2160	67.5	30.0 ¹	297.0	SQ	3G-SDI Level-B	YPbPr	4:4:4 12bit
	4096 x 2160	67.5	30.0 ¹	297.0	IL	3G-SDI Level-B	YPbPr	4:4:4 12bit
	4096 x 2160	67.5	30.0 ¹	297.0	SQ	3G-SDI Level-A	RGB	4:4:4 10bit
	4096 x 2160	67.5	30.0 ¹	297.0	IL	3G-SDI Level-A	RGB	4:4:4 10bit
	4096 x 2160	67.5	30.0 ¹	297.0	SQ	3G-SDI Level-B	RGB	4:4:4 10bit
	4096 x 2160	67.5	30.0 ¹	297.0	IL	3G-SDI Level-B	RGB	4:4:4 10bit
	4096 x 2160	67.5	30.0 ¹	297.0	SQ	3G-SDI Level-A	RGB	4:4:4 12bit
	4096 x 2160	67.5	30.0 ¹	297.0	IL	3G-SDI Level-A	RGB	4:4:4 12bit
	4096 x 2160	67.5	30.0 ¹	297.0	SQ	3G-SDI Level-B	RGB	4:4:4 12bit
4096 x 2160/60p	4096 x 2160	135.0	60.0 ¹	594.0	SQ	3G-SDI Level-A	YPbPr	4:2:2 10bit
	4096 x 2160	135.0	60.0 ¹	594.0	IL	3G-SDI Level-A	YPbPr	4:2:2 10bit
	4096 x 2160	135.0	60.0 ¹	594.0	SQ	3G-SDI Level-B	YPbPr	4:2:2 10bit
	4096 x 2160	135.0	60.0 ¹	594.0	IL	3G-SDI Level-B	YPbPr	4:2:2 10bit
4096 x 2160/50p	4096 x 2160	112.5	50.0	594.0	SQ	3G-SDI Level-A	YPbPr	4:2:2 10bit
	4096 x 2160	112.5	50.0	594.0	IL	3G-SDI Level-A	YPbPr	4:2:2 10bit
	4096 x 2160	112.5	50.0	594.0	SQ	3G-SDI Level-B	YPbPr	4:2:2 10bit
	4096 x 2160	112.5	50.0	594.0	IL	3G-SDI Level-B	YPbPr	4:2:2 10bit

1 The signal with 1/1.001x vertical scanning frequency is also supported.

List of Simultaneous input compatible signals

The following table specifies the simultaneous input compatible video signals that the projector can project.

Signal name (SIGNAL FORMAT)	Resolution (Dots)	Scanning freq.		Dot clock freq. (MHz)	Simultaneous input compatible signal		
		H (kHz)	V (Hz)		HDMI™ ¹	DisplayPort ²	SDI ³
3840 x 2160/60	3840 x 2160	135.0	60.0	594.0	✓ ⁴	✓	✓
4096 x 2160/60	4096 x 2160	135.0	60.0	594.0	✓ ⁴	✓	✓

1 This is supported when an optional HDMI™ 2 input interface board (model number: ET-MDNHM10) is installed in both slots.

2 This is supported when the optional Interface Board for DisplayPort 2 input (Model No.: ET-MDNDP10) is installed in both slots.

3 This is supported when the Interface Board for 12G-SDI (Model No.: ET-MDN12G10) is installed in both slots.

4 When performing the simultaneous input of the 4K image (resolution of 3840 x 2160 or 4096 x 2160) using the Interface Board for HDMI™ 2 input (Model No.: ET-MDNHM10), it is necessary for the firmware version of the Interface Board for HDMI™ 2 input to be 2.00 or later. If the version is earlier than 2.00, the simultaneous process is not performed even if corresponding signal is input.

Note

- Firmware for simultaneous output will be available from February, 2021. For details visit <https://panasonic.biz/cns/projector/pass/>